

Parts Listing

Airbar® Parts List Agco 8200



more **yield**
from your **field**

with air-assist harvesting

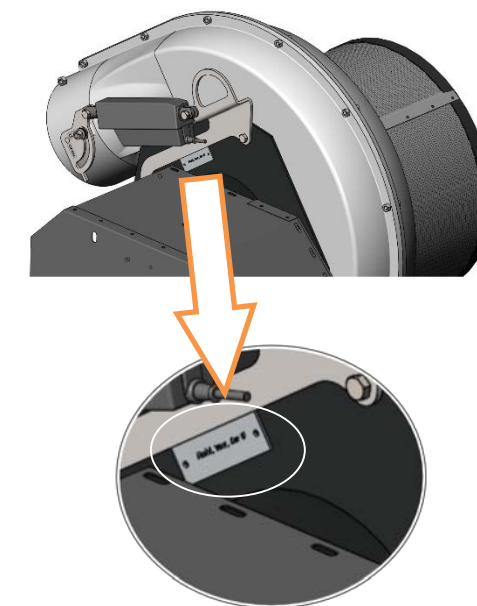
Parts Order Information

Parts Order Information:

To best fulfill your parts requirements, Gather the following information before contacting us:

- Header Make / Model
- AWS Fan SN (location shown in picture)

If you have any questions regarding the suitability of the parts you receive, please call the above number ASAP so that we can assist in ensuring the parts are correct and used properly.



Fan Serial Number Location

The serial number plate for the fan is located on the fan mounting plate, below the throttle actuator mounting bracket.

Drive Identification

AWS uses 3 different secondary belt drive ratios depending on combine model; parts in this book are referenced as "A", "B" or "C" Drive for simplification. There are 2 methods of identifying the drive ratio:

1. Via the serial number (Either the 4th or 6th digit of the SN will be A,B or C)
2. Via combine manufacturer:

A Drive - John Deere, Case IH (Max 550 rpm Input)

B Drive - Gleaner, New Holland, Cat (550-600 rpm Input)

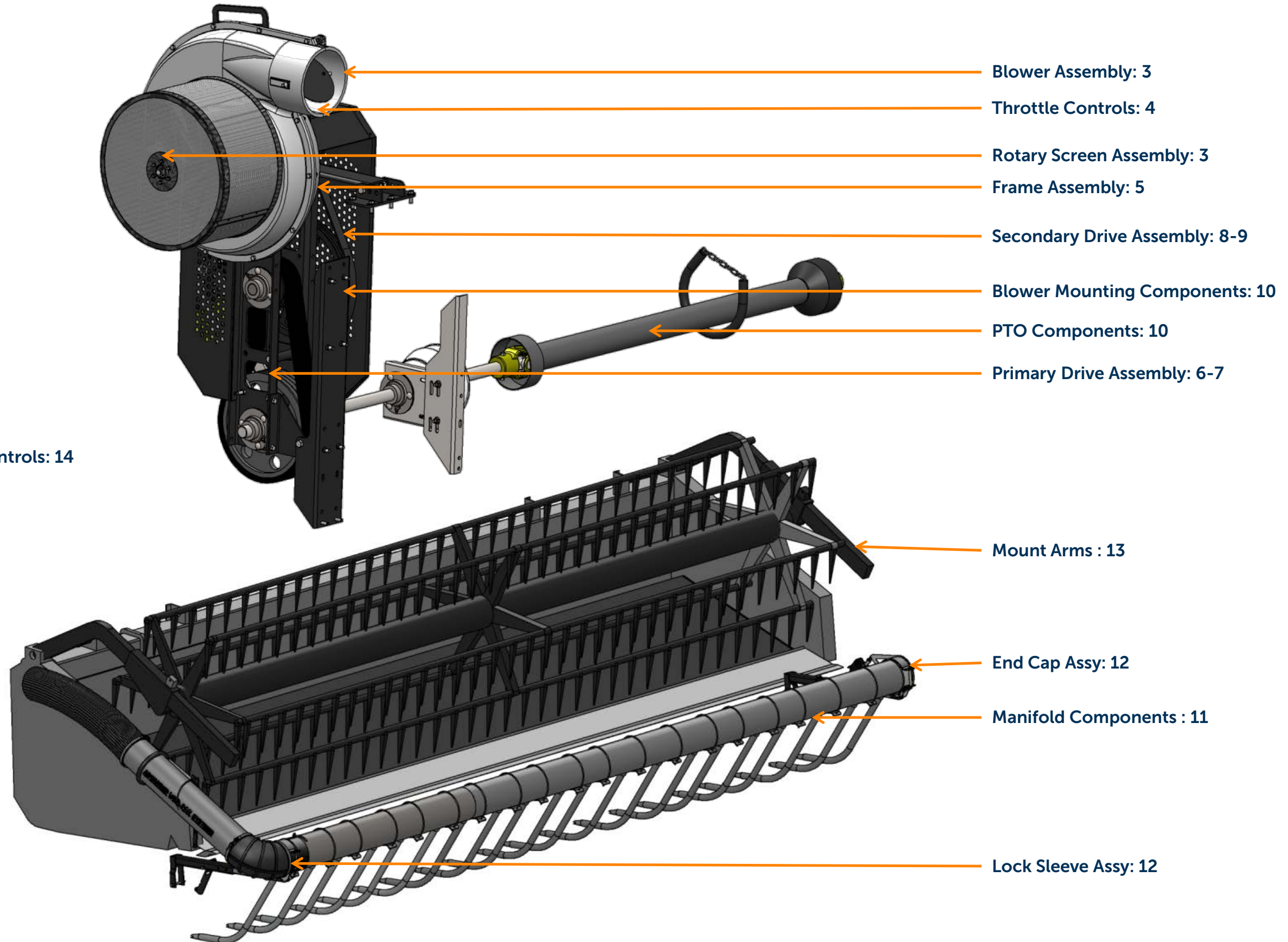
C Drive - Claas (600-720 rpm Input)

Terms and Conditions:

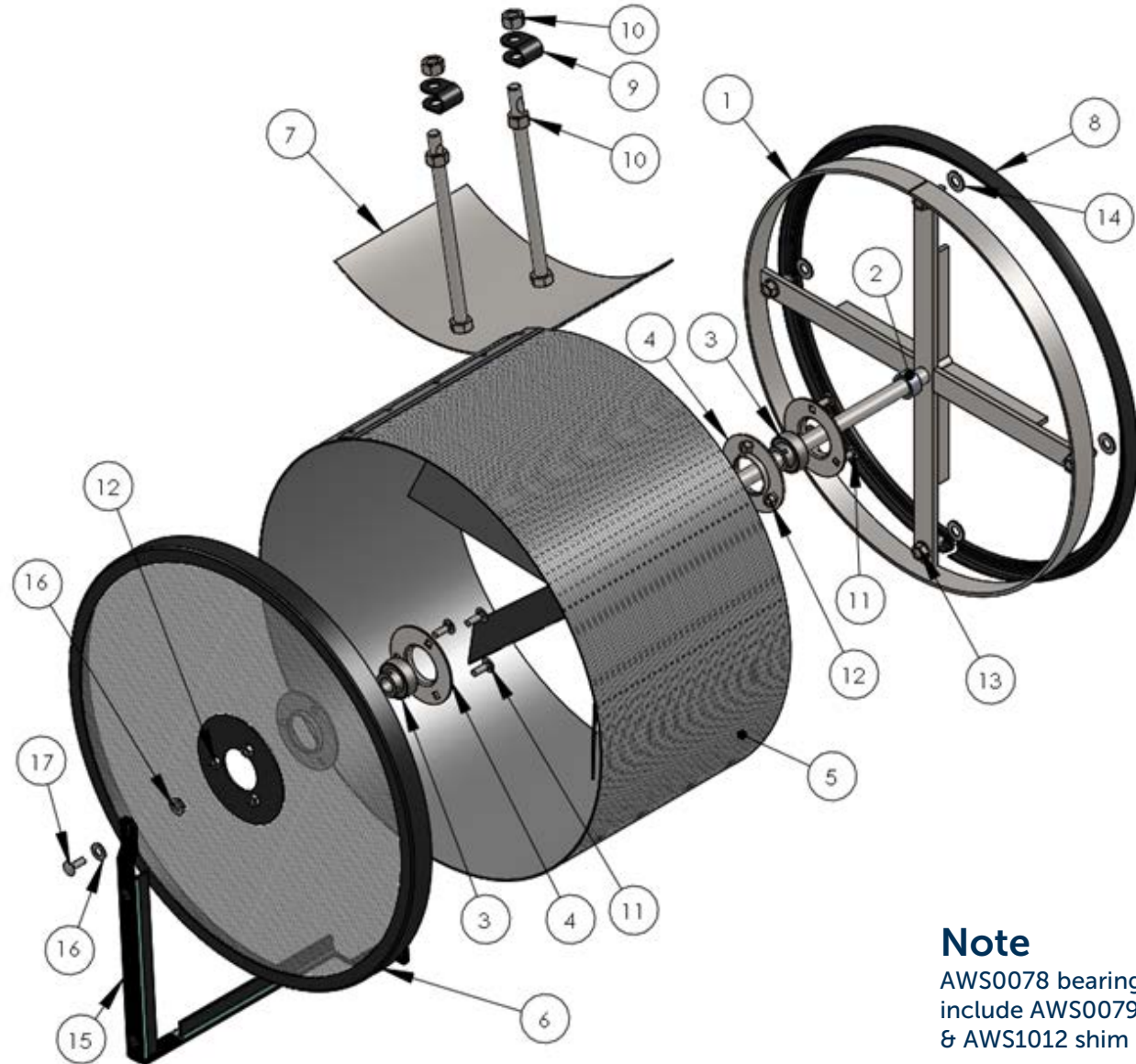
1. All goods are F.O.B Mitchell, Ontario, Canada or Minot, ND USA
2. All Parts include 30 day warranty of defects.
3. Please indicate preferred shipment method with order (due to our shipping volume it is typically most cost effective to have parts shipped out prepaid, with shipping costs shown on the parts invoice).
4. Returns accepted within 12 months of purchase, must be unused and are subject to a 10% handling fee. They must be shipped back to AWS prepaid with prior authorization.

Table of Contents

Electric Controls: 14



Rotary Screen Assembly

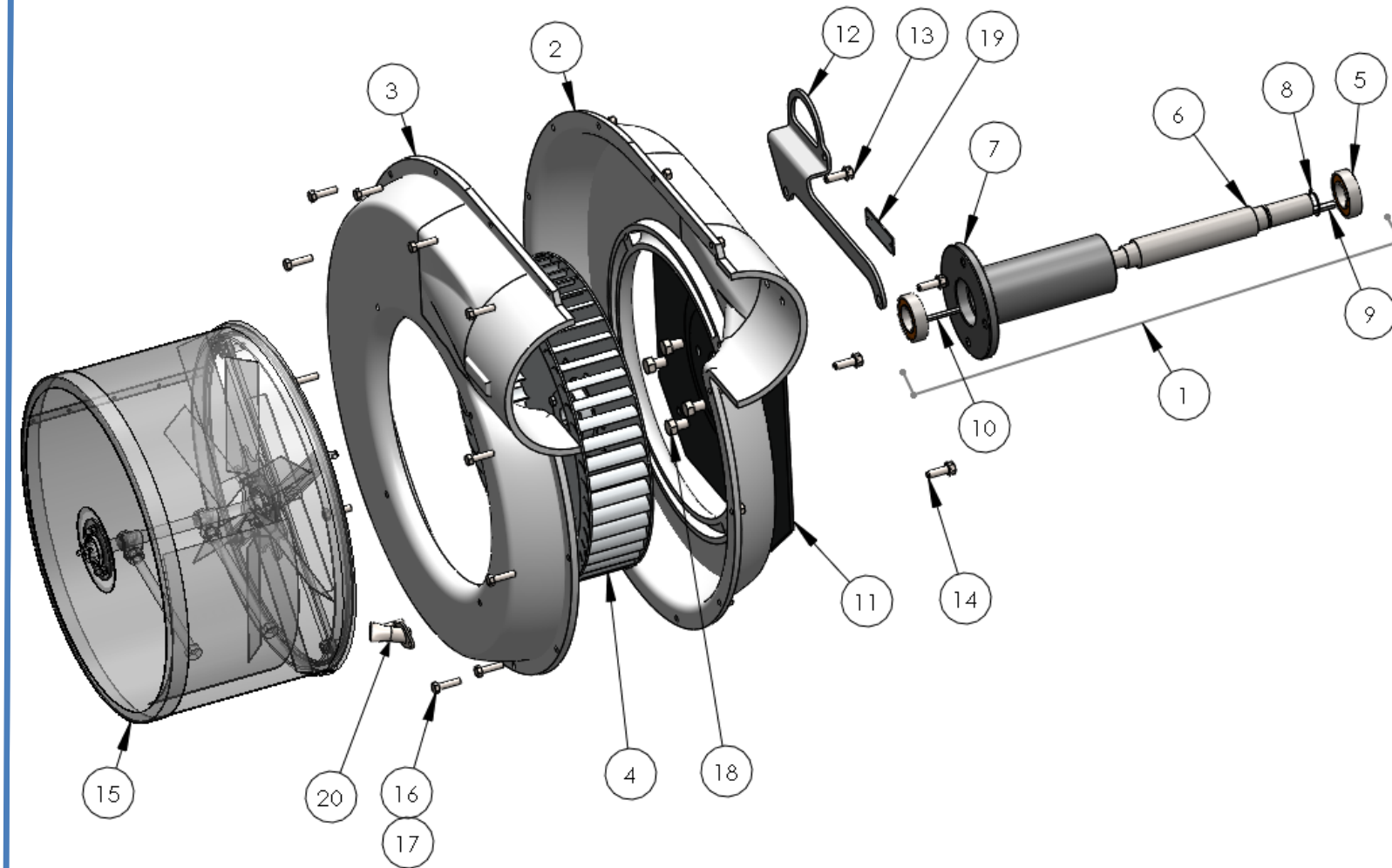


Note
AWS0078 bearings now include AWS0079 flanges & AWS1012 shim

Ref.	Part Number	Description	Qty.
1	AWS0076	Rotary Screen Support	1
2	AWS0228	Rotary Screen Spacer, 3/4 x 1/2	1
3	AWS0078	Bearing, Rotary Screen, AS202-101 (Includes 2x AWS0079 Flange & AWS1012 Shim)	2
4	AWS0079 AWS1012	Bearing Flange, PF203 Shim, PF203	4 1
5	AWS0077R	Rotary Screen, Right	1
6	AWS0080	Rotary Screen Cap	1
7	AWS0081	Clean Out Plate	1
8	AWS0088	Rotary Screen Seal	Opt

Ref.	Part Number	Description	Qty.
9	AWS0082	Clevis	2
10		1/2 nc Lock Nut	4
11		Bolt, 1/4nc x 3/4 Carriage	6
12		Nut, 1/4 nc Nylock	6
13		Bolt 3/8 nc x 1 Self Tapping	4
14		Washer, 3/8 Flat	4
15	AWS0083	Rotary Screen Brush Assy	1
16		Washer, 5/16 Flat	AR
17		1/4nc x3/4 Button Head Cap, SS	1
	AWS0230	Rotary Screen Assembly (Incl 1-14)	

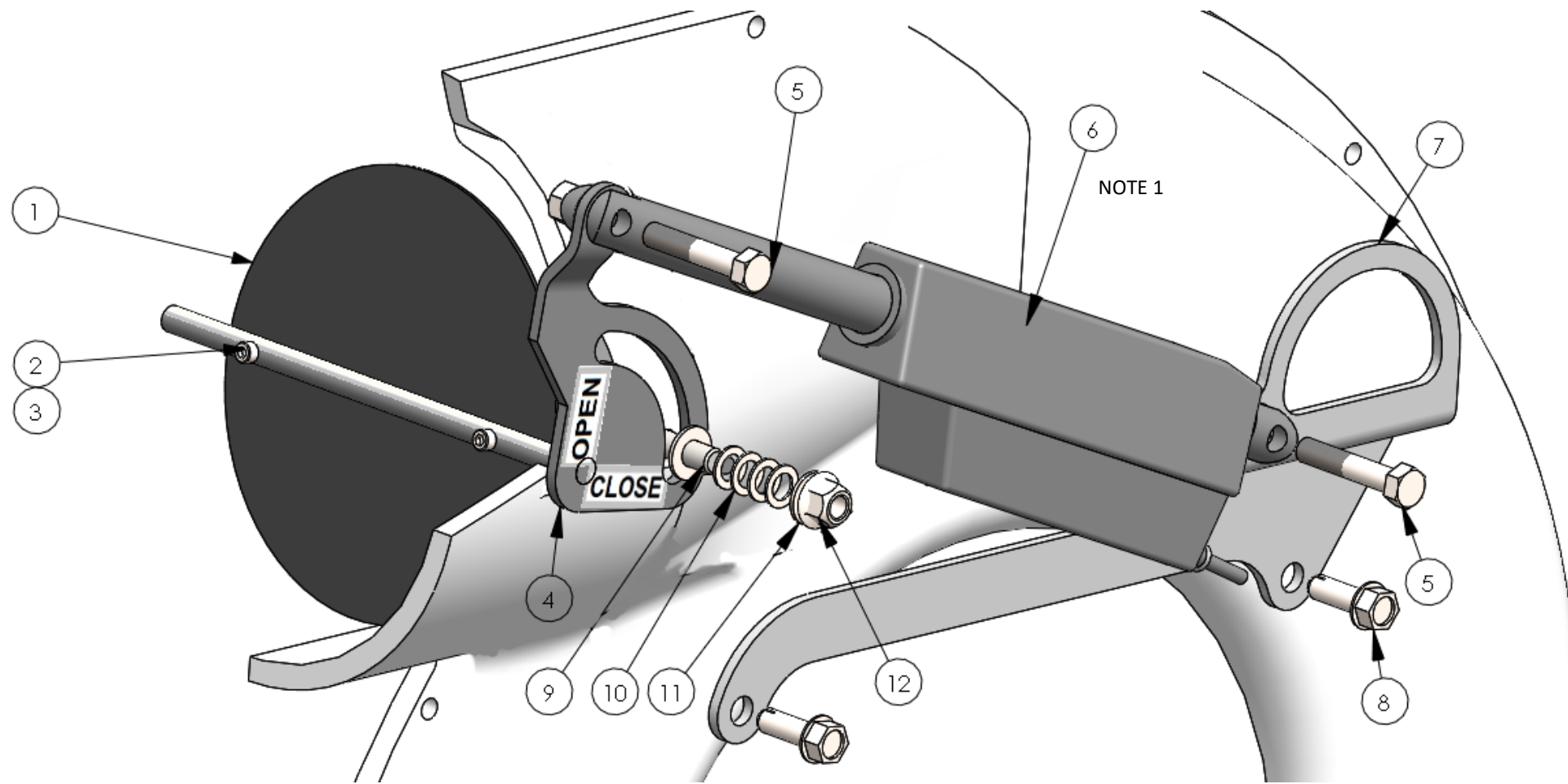
Blower Assembly



Ref.	Part Number	Description	Qty.
1	AWS0127	Fan Shaft Assembly (Incl. 5-8)	1
2	AWS0068	Fan Housing, LH	1
3	AWS0069	Fan Housing, RH	1
4	AWS0071 AWS0070	Impeller, Right Hand H7/8 Hub (Included with Impeller)	1 1
5	AWS0037	Bearing, Fan Shaft 6206-2RSC3	2
6	AWS0035	Fan Shaft, 14"	1
7	AWS0038	Fan Shaft Housing, 7.5"	1
8	AWS0036	Snap Ring, 1-1/8 EXT.	1
9	AWS0034	Key, 1/4X2	1
10	AWS0073	Key, 3/16X1-1/2	1

Ref.	Part Number	Description	Qty.
11	AWS0067	Fan Plate	1
12	AWS0203	Actuator Mount, See next page	1
13		Bolt, 3/8nc x 1-1/4	2
14		Bolt, 3/8nc x 1 Self Tapping	2
15	AWS0230R	Rotary Screen Assembly	1
16		Bolt, 5/16nc x 1-1/4	12
17		Nut, 5/16nc Nylock	12
18		Bolt, 1/2" nc x 3/4"	4
19	AWS0065	Serial Number Plate	1
20	AWS1038R	Rotary Screen Nozzle	1

Throttle Controls



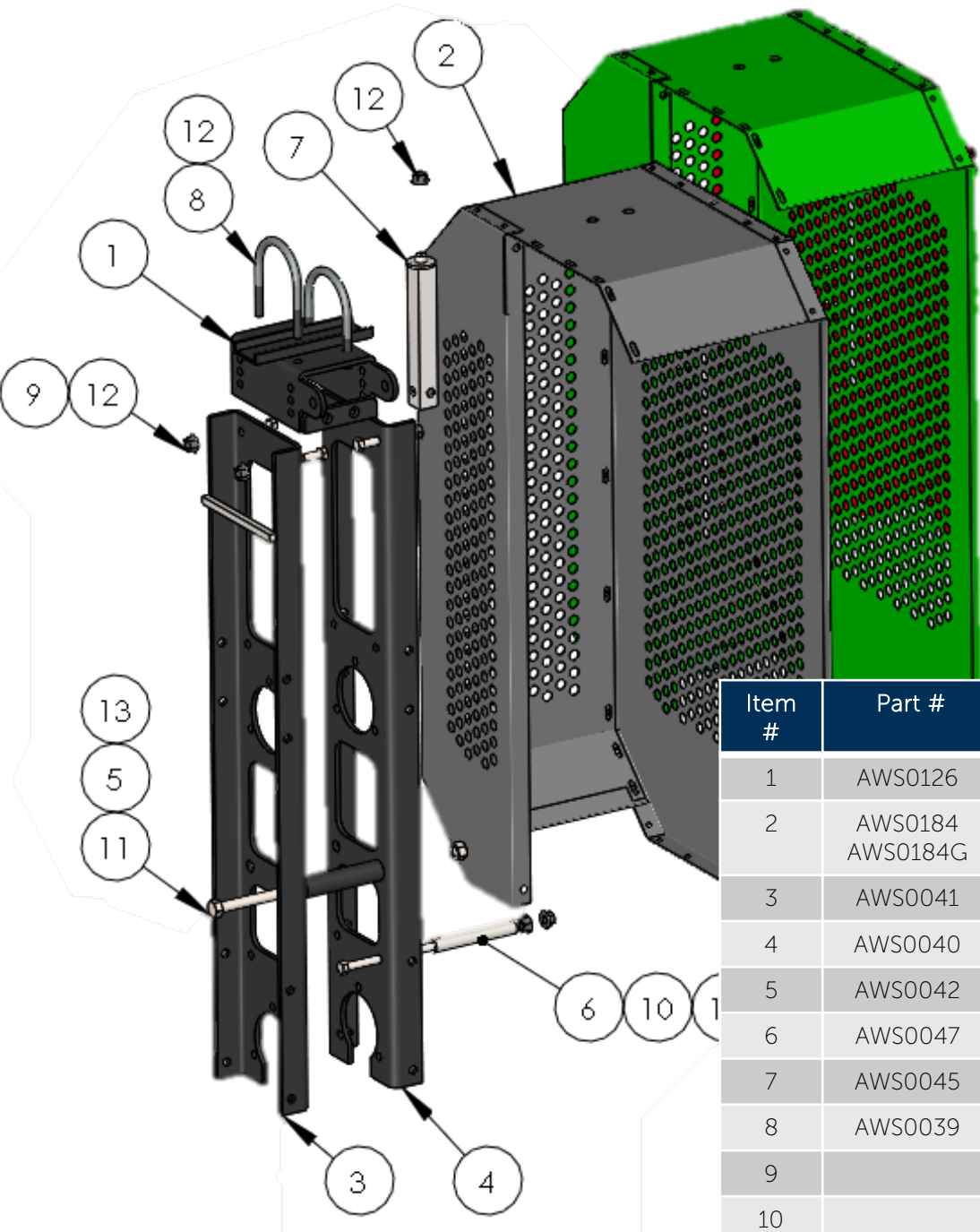
Item #	Part #	Description	Qty.
1	AWS0114	Throttle Plate	1
2	AWS0231	Bolt, 10-32 Socket Head Cap	2
3	AWS0232	Nut, 10-32 SS Nyloc	2
4	AWS0212	Throttle Shaft, RH Electric	1
5	AWS0514	Bolt, Actuator	2
6	AWS0095	Actuator, Throttle Control	1
7	AWS0203	Actuator Mount, RH	1
8		Bolt, 3/8ncX1-1/4	1
9	AWS0171	Stud, M10-1.50	1
10	AWS0170	Spring Washer	4
11		Washer, 3/8 Flat	3
12	AWS0172	Nut, M10-1.50Flange Nyloc	1

Note

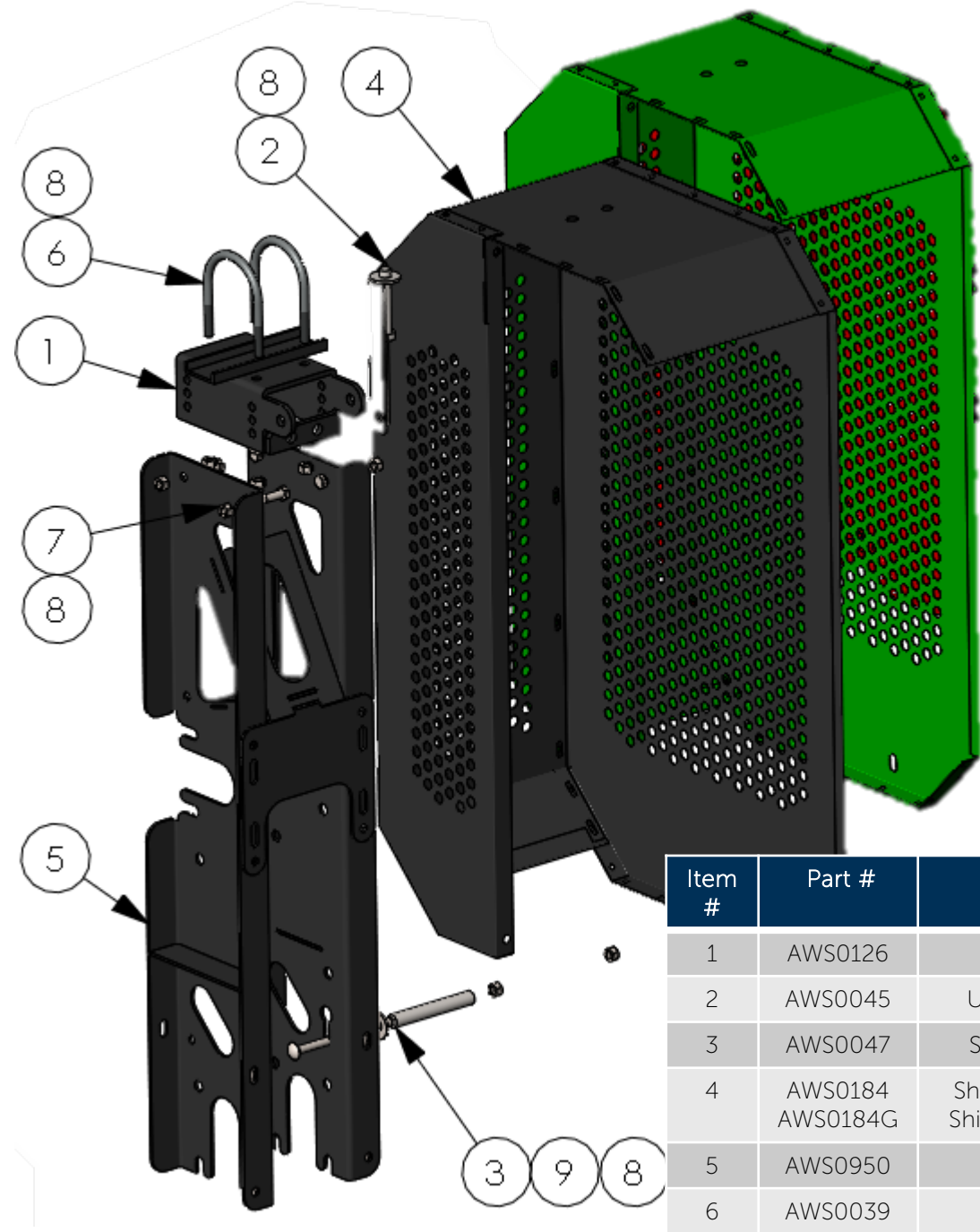
See Electrical Controls section near back of manual for additional information.

Frame Assembly to 2020

2021 & up Frame Assembly

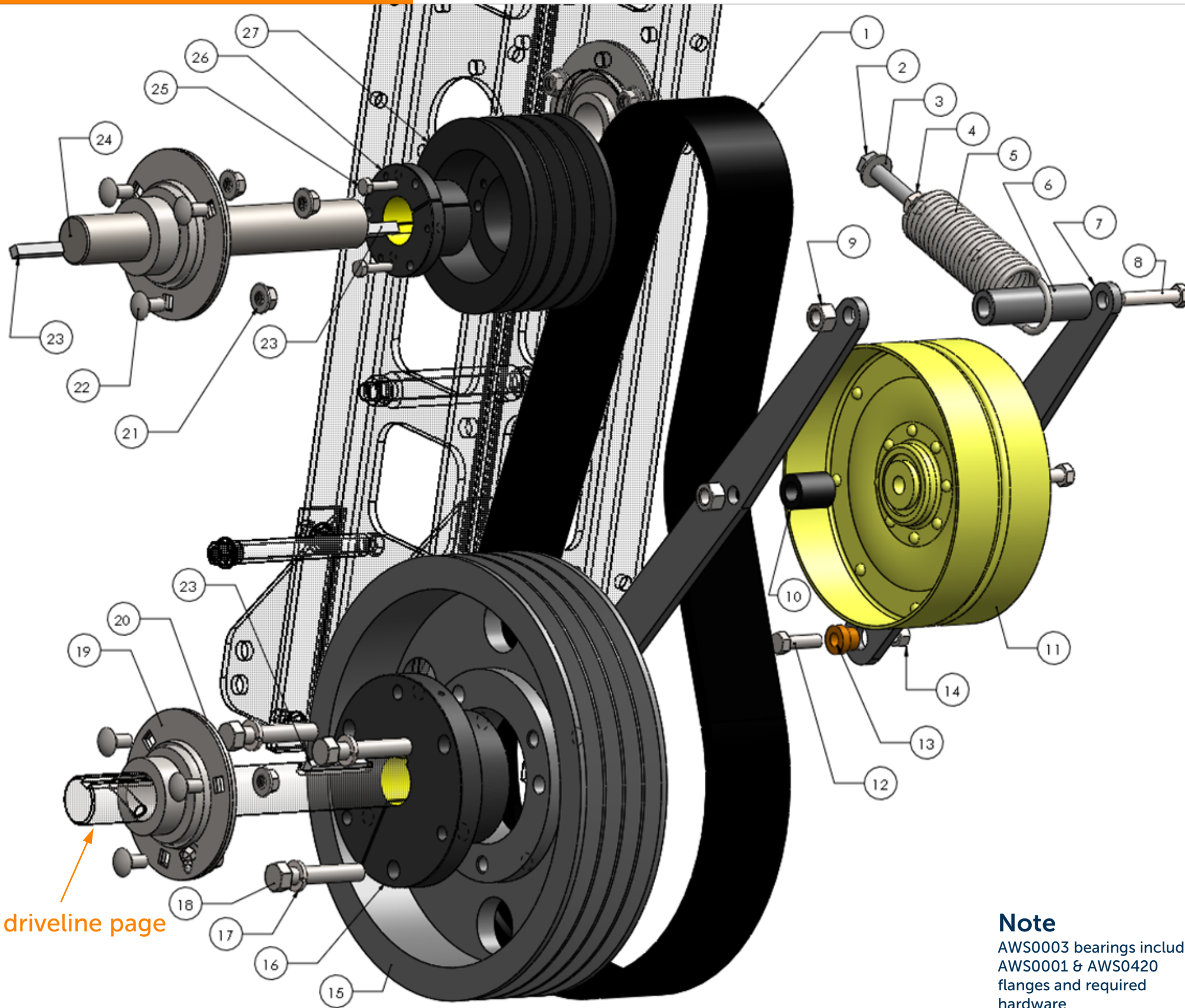


Item #	Part #	Description	Qty.
1	AWS0126	Top Bracket	1
2	AWS0184 AWS0184G	Shield Assembly, (Black) Shield Assembly, (Green)	1
3	AWS0041	Frame Rail, Fan Side	1
4	AWS0040	Frame Rail, Drive Side	1
5	AWS0042	Spacer, 1/2 x 4-1/4	1
6	AWS0047	Spacer, Lower Shield	1
7	AWS0045	Upper Shield Support	1
8	AWS0039	U-Bolt, 3/8nc x 3	2
9		Bolt, 3/8nc x 1	8
10		Bolt, 3/8nc x 5-1/2	1
11		Bolt, 1/2nc x 5-1/2	1
12		Nut, 3/8nc Serrated Flange	11
13		Nut, 1/2nc Stover Lock	1



Item #	Part #	Description	Qty.
1	AWS0126	Top Bracket	1
2	AWS0045	Upper Shield Support	1
3	AWS0047	Spacer, Lower Shield	1
4	AWS0184 AWS0184G	Shield Assembly, (Black) Shield Assembly, (Green)	1
5	AWS0950	Chassis	1
6	AWS0039	U-Bolt, 3/8nc x 3	2
7		Bolt, 3/8nc x 1	8
8		Nut, 3/8nc Serrated Flange	15
9		Bolt, 3/8nc x 5-1/2	1

Primary Drive Assembly to 2019 (3 Bolt Stamped Bearing Flanges)



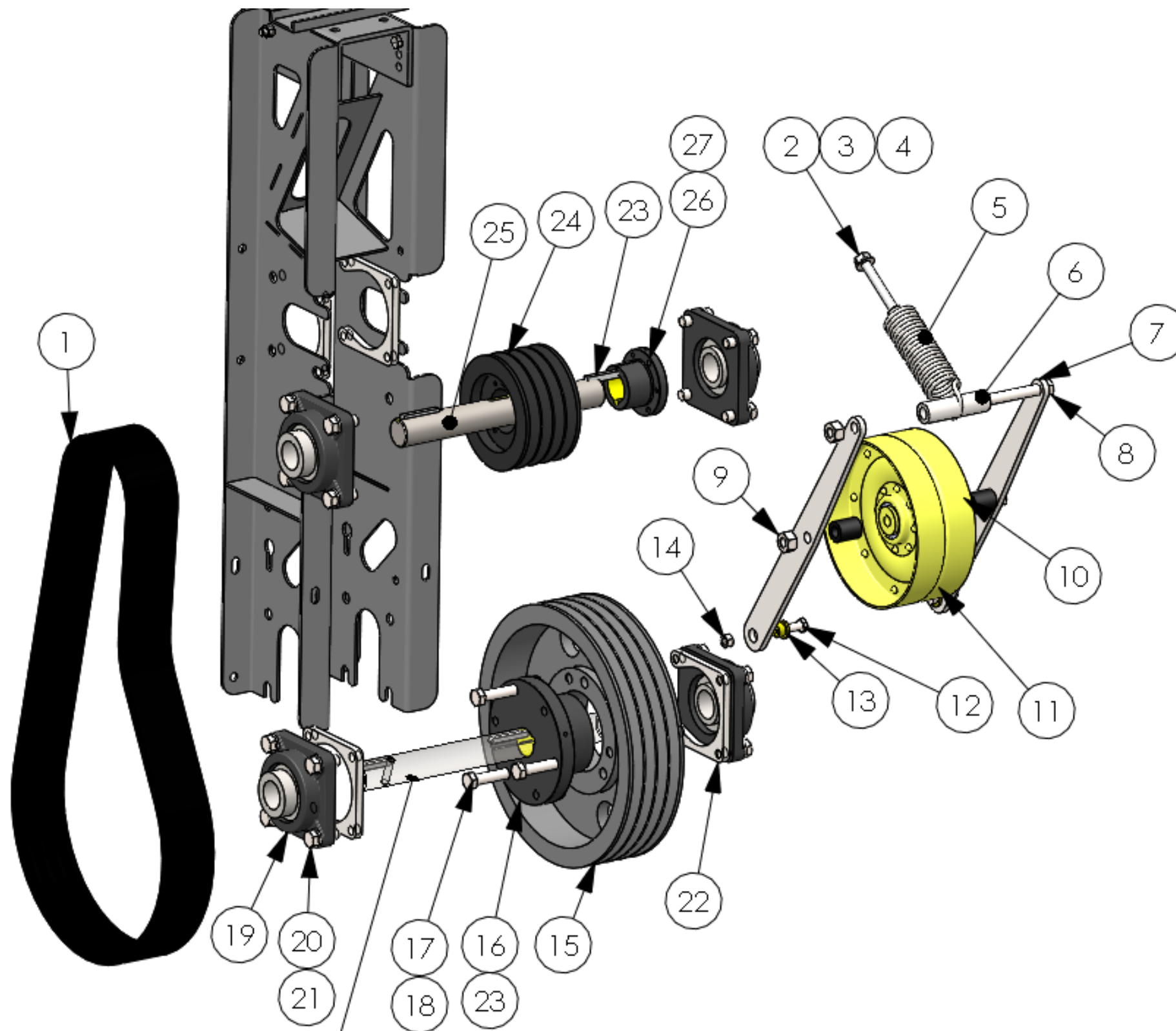
See driveline page

Note
 AWS0003 bearings include
 AWS0001 & AWS0420
 flanges and required
 hardware

Item #	Part #	Description	Qty.
1	AWS0020 AWS0220	Belt, 5VX-630-4 Belt, 5V-630-4BP Premium	1 Opt.
2	AWS0015	Tap Bolt, 7/16nc X 5	1
3		Flat Washer, 7/16	1
4	AWS0016	Jam Nut, 7/16nc	1
5	AWS0014	Spring, Extension (Incl Items 2-4)	1
6	AWS0017	Spacer, 1/2X 3-1/2	1
7	AWS0013	Idler Arm, Primary	2
8		Bolt, 1/2ncX5	2
9		Nut, 1/2nc Stover Lock	2
10	AWS0018	Spacer, 1/2X1-3/16	2
11	AWS0012	Idler, HM Primary	1
12		Bolt, 3/8nc X 1 1/4	2
13	AWS0512	Bushing, Bronze	2
14		Nut, 3/8nc Stover Lock	2
15	AWS0211	Sheave, 5V-12.5-4	1
16	AWS0008	Bushing E 1-3/8	1
17		Lock Washer, 1/2 (w/16)	3
18		Tap Bolt, 1/2nc X 2-1/2 (w/16)	3
19	AWS0420	Bearing Flange, Greaseable	4
20	AWS0001	Bearing Flange, PF207	4
21		Nut, 3/8nc Flange	12
22		Bolt, 3/8ncX3/4 Carriage	12
23	AWS0011	Key, 5/16 x 2	3
24	AWS0021	Shaft, Secondary HM	1
25		Tap Bolt, 1/4nc X 2 (w/26)	3
26	AWS0022	Bushing, SD 1-3/8	1
27	AWS0024	Sheave, 5V-5.50-4	1
28	AWS0003	Bearing, 1-3/8 w/ Collar (Includes AWS0003 & AWS0420 Flanges)	4

Primary Drive Assembly

2020 & up (4 Bolt Cast Bearing Flanges)

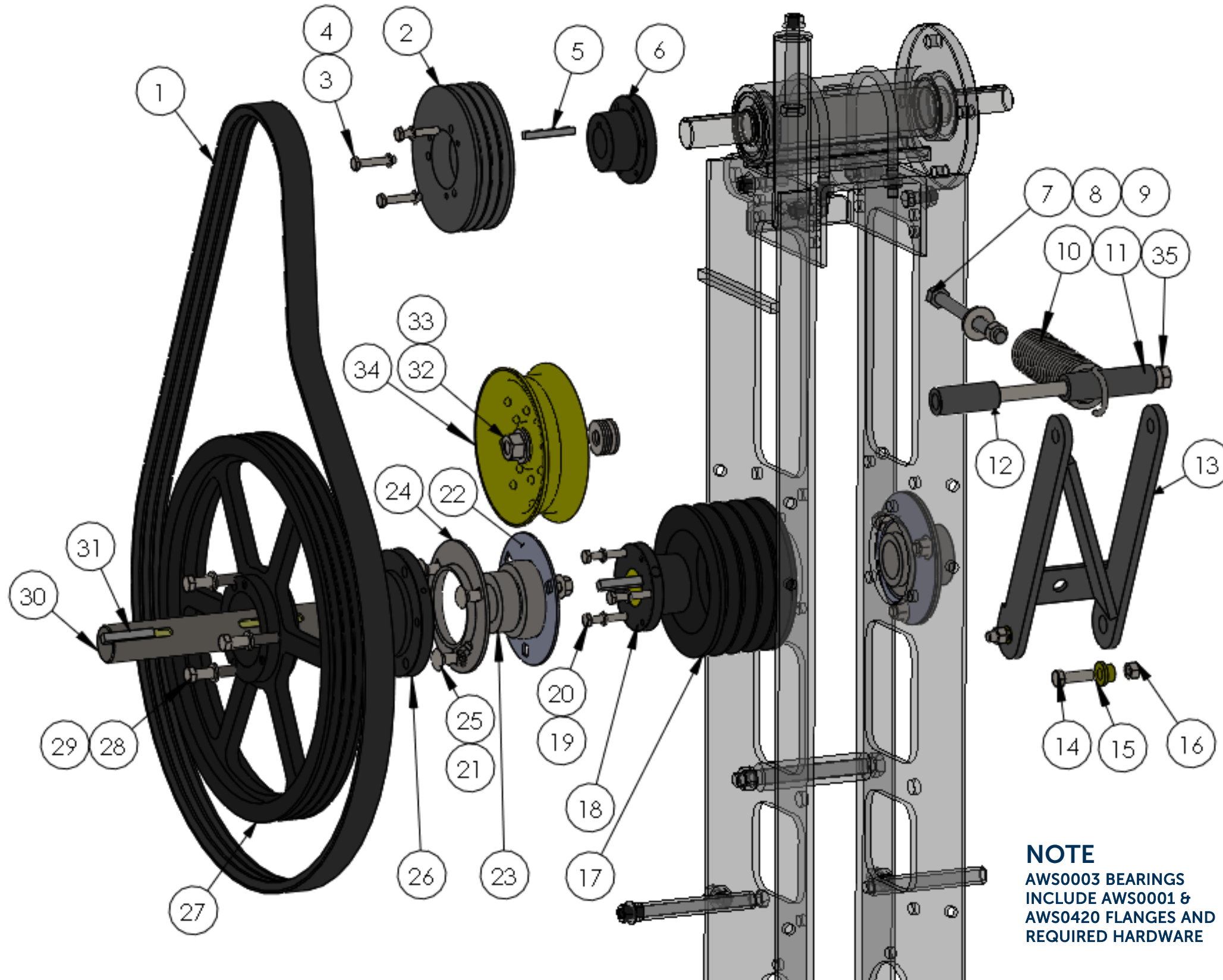


SEE DRIVELINE PAGE

Item #	Part #	Description	Qty.
1	AWS0020	Belt, 5VX-630-4	1
2	AWS0015	Tap Bolt, 7/16nc X 5	1
3		Flat Washer, 7/16	1
4	AWS0016	Jam Nut, 7/16nc	1
5	AWS0014	Spring, Extension (Incl. Items 2-4)	1
6	AWS0017	Spacer, 1/2X 3-1/2	1
7	AWS0013	Idler Arm, Primary	2
8		Bolt, 1/2ncX5	2
9		Nut, 1/2nc Stover Lock	2
10	AWS0018	Spacer, 1/2X1-3/16	2
11	AWS0012	Idler, HM Primary	1
12		Bolt, 3/8nc X 1 1/4	2
13	AWS0512	Bushing, Bronze	2
14		Nut, 3/8nc Stover Lock	2
15	AWS0211	Sheave, 5V-12.5-4	1
16	AWS0008	Bushing E 1-3/8	1
17		Lock Washer, 1/2 (w/16)	3
18		Tap Bolt, 1/2nc X 2-1/2 (w/16)	3
19	AWS1032	Bearing Unit - F207 1-3/8	4
20		Bolt, 1/2ncX1-1/4	16
21		Lock Washer, 1/2	16
22	AWS1020	Nut Plate, 1/2nc	4
23	AWS0011	Key, 5/16 x 2	3
24	AWS0024	Sheave, 5V-5.50-4	1
25	AWS0021	Shaft, Secondary HM	1
26	AWS0022	Bushing, SD 1-3/8	1
27		Tap Bolt, 1/4nc X 2 (w/26)	3

Secondary Drive Assembly

to 2019 (3 Bolt Stamped Bearing Flanges)

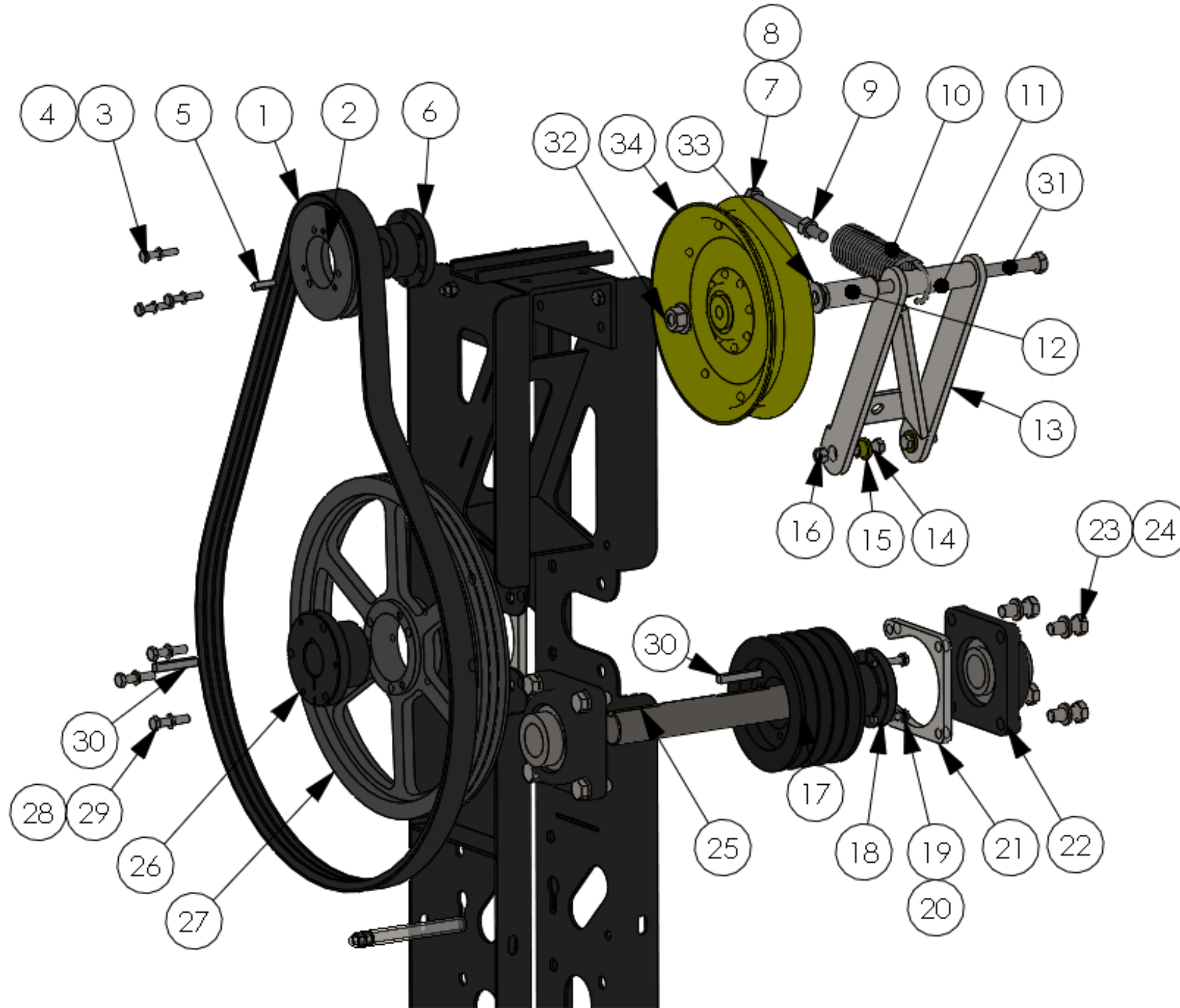


NOTE
 AWS0003 BEARINGS
 INCLUDE AWS0001 &
 AWS0420 FLANGES AND
 REQUIRED HARDWARE

Item	Part #	Description	Qty.
1	AWS0110	Belt, 3VX-670-3	1
2	AWS0030	Sheave, 3V-4.75-3	1
3		Tap Bolt, 1/4nc X 1-1/2 (w/6)	3
4		Lock Washer 1/4 (w/6)	3
5	AWS0034	Key, 1/4X1-1/4	1
6	AWS0033	Bushing SDS 1-1/8	1
7	AWS0015	Tap Bolt, 7/16nc X 5	1
8		Flat Washer, 7/16	1
9	AWS0016	Jam Nut, 7/16	1
10	AWS0014	Spring, Extension (Incl. Items 7-9)	1
11	AWS0017	Spacer, 1/2X 3-1/2	1
12	AWS0459	Spacer, 1/2X 2	1
13	AWS0113	Idler Arm	1
14		Bolt, 3/8nc X 1-4	2
15	AWS0512	Bushing, Bronze	2
16		Nut, 3/8nc Stover Lock	2
17	AWS0024	Sheave, 5V-5.50-4	1
18	AWS0022	Bushing, SD 1-3/8	1
19		Lock Washer 1/4 (w18)	3
20		Tap Bolt , 1/4nc X 2 (w18)	3
21		Nut, 3/8nc Flange	6
22	AWS0001	Bearing Flange, PF207	2
23	AWS0003	Bearing, 1-3/8 Wide Race w/ Collar (Includes Flanges)	2
24	AWS0420	Bearing Flange, Greaseable	2
25		Bolt, 3/8nc X3/4 Carriage	6
26	AWS0028	Bushing, SF 1-3/8	1
27	AWS0027	Sheave, 3V-14.0-3	1
28		Tap Bolt, 3/8nc X 2-1/2 (w/26)	3
29		Lock Washer, 3/8 (w/26)	3
30	AWS0021	Shaft, Secondary	1
31	AWS0011	Key, 5/16X2	2
32		Nut, 1/2nc Stover Lock	1
33		Flat Washer, 1/2	A/R
34	AWS0119	Idler, 8"	1
35		Bolt, 1/2 nc x 8-1/2	1

Secondary Drive Assembly

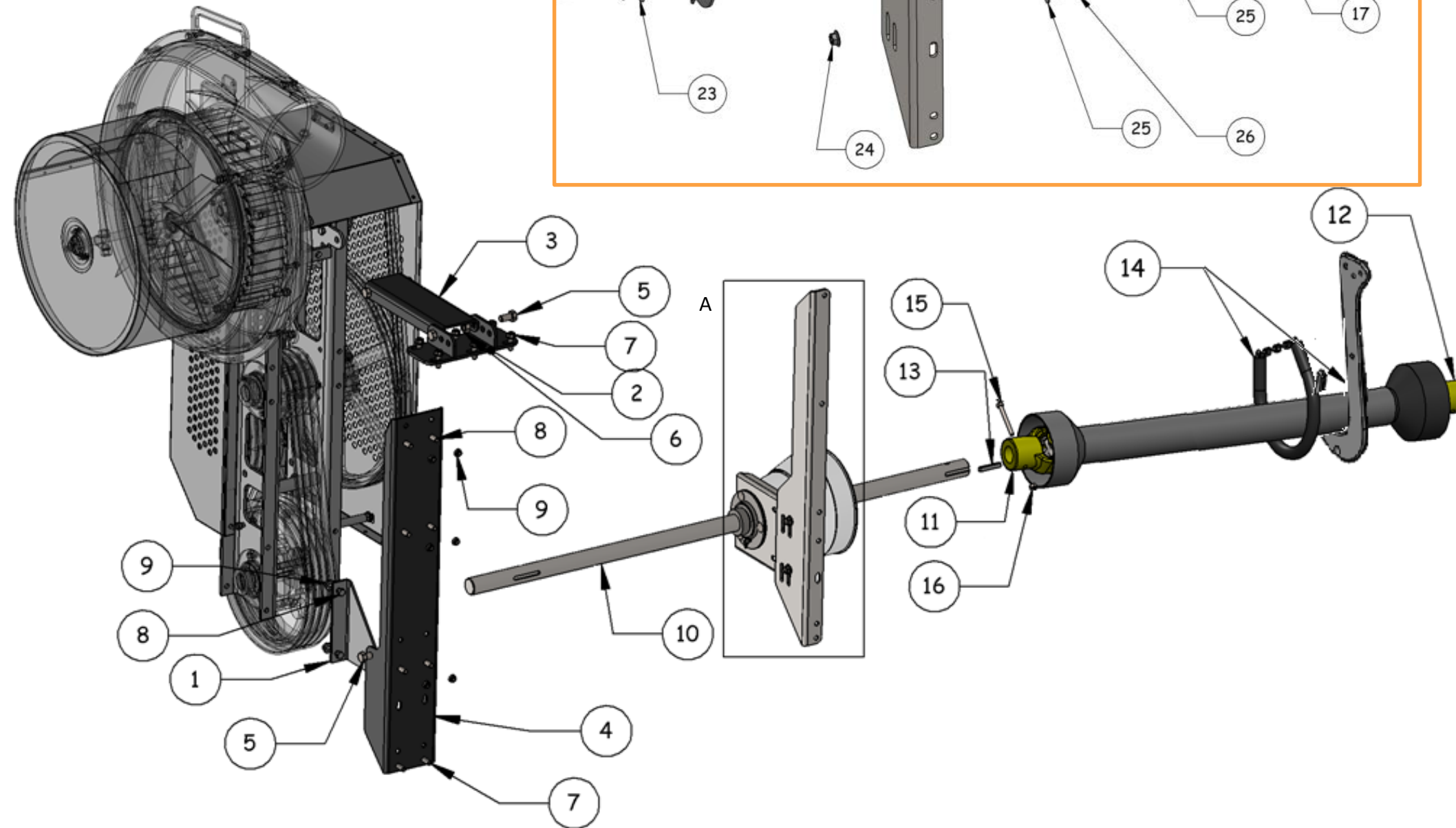
2020 & up (4 Bolt Cast Bearing Flanges)



Item #	Part #	Description	Qty.
1	AWS0110	Belt, 3VX-670-3	1
2	AWS0030	Sheave, 3V-4.75-3	1
3		Tap Bolt, 1/4nc X 1-1/2 (w/6)	3
4		Lock Washer 1/4 (w/6)	3
5	AWS0034	Key, 1/4X1-1/4	1
6	AWS0033	Bushing SDS 1-1/8	1
7	AWS0015	Tap Bolt, 7/16nc X 5	1
8		Flat Washer, 7/16	1
9	AWS0016	Jam Nut, 7/16	1
10	AWS0014	Spring, Extension (Incl. Items 7-9)	1
11	AWS0017	Spacer, 1/2X 3-1/2	1
12	AWS0459	Spacer, 1/2X 2	1
13	AWS0113	Idler Arm	1
14		Bolt, 3/8nc X 1-1/4	2
15	AWS0512	Bushing, Bronze	2
16		Nut, 3/8nc Stover Lock	2
17	AWS0024	Sheave, 5V-5.50-4	1
18	AWS0022	Bushing, SD 1-3/8	1
19		Lock Washer 1/4 (w/18)	3
20		Tap Bolt , 1/4ncX2 (w/18)	3
21	AWS1020	Nut Plate	2
22	AWS1032	Bearing Unit, F207 1 3/8" Cast	2
23		Bolt 1/2nc x 1-1/4	8
24		Lock Washer, 1/2	8
25	AWS0021	Shaft, Secondary	1
26	AWS0028	Bushing, SK 1-3/8	1
27	AWS0027	Sheave, 3V-14.0-3	1
28		Tap Bolt, 3/8ncX2-1/2 (w/26)	3
29		Lock Washer, 3/8 (w/26)	3
30	AWS0011	Key, 5/16X2	2
31		Bolt, 1/2 nc x 8-1/2	
32		Nut, 1/2nc Stover Lock	1
33		Flat Washer, 1/2	A/R
34	AWS0119	Idler, 8"	1

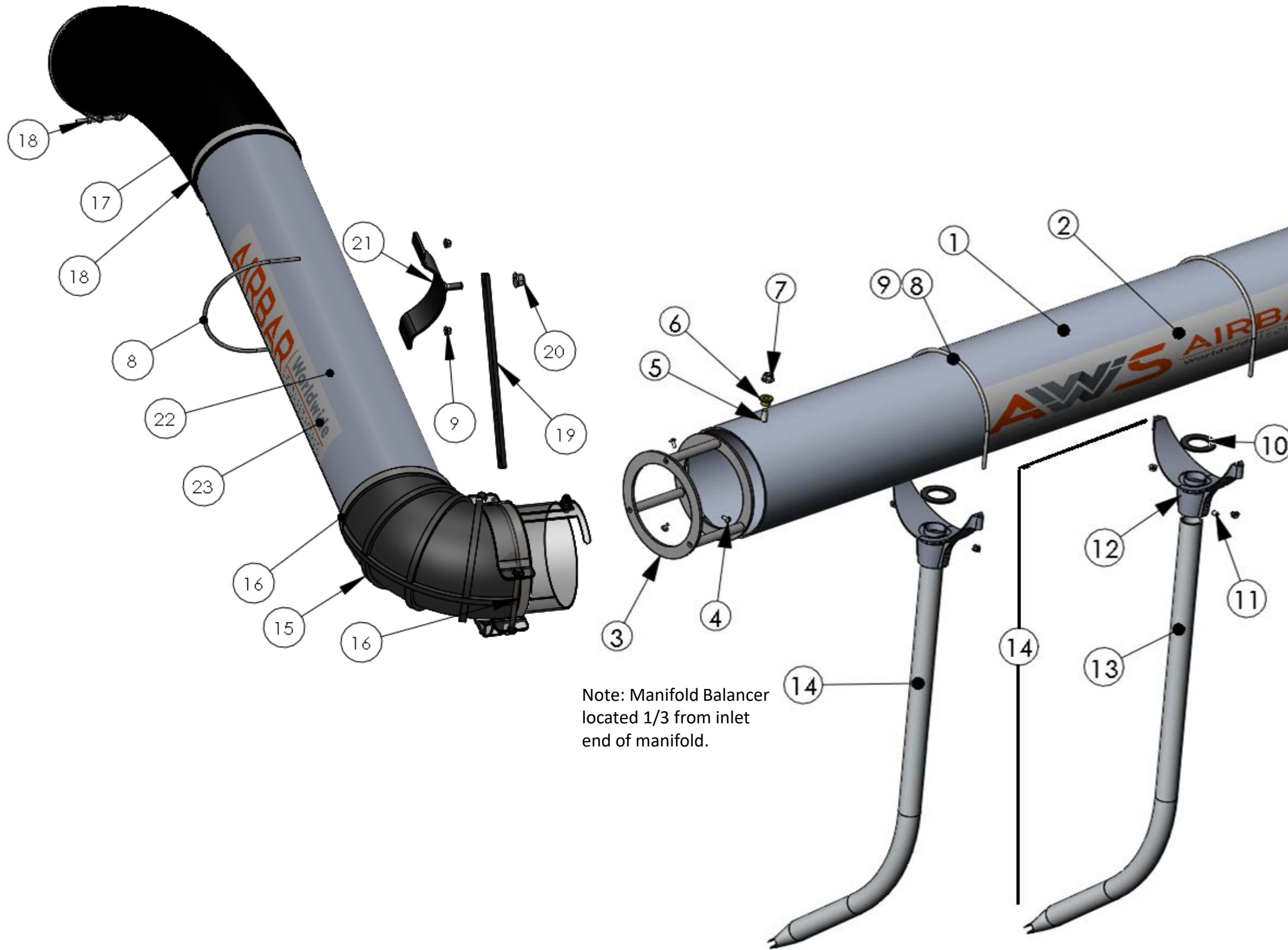
Mounting & Drive Components

View A: Universal Bearing Support (30' & 35' heads only)



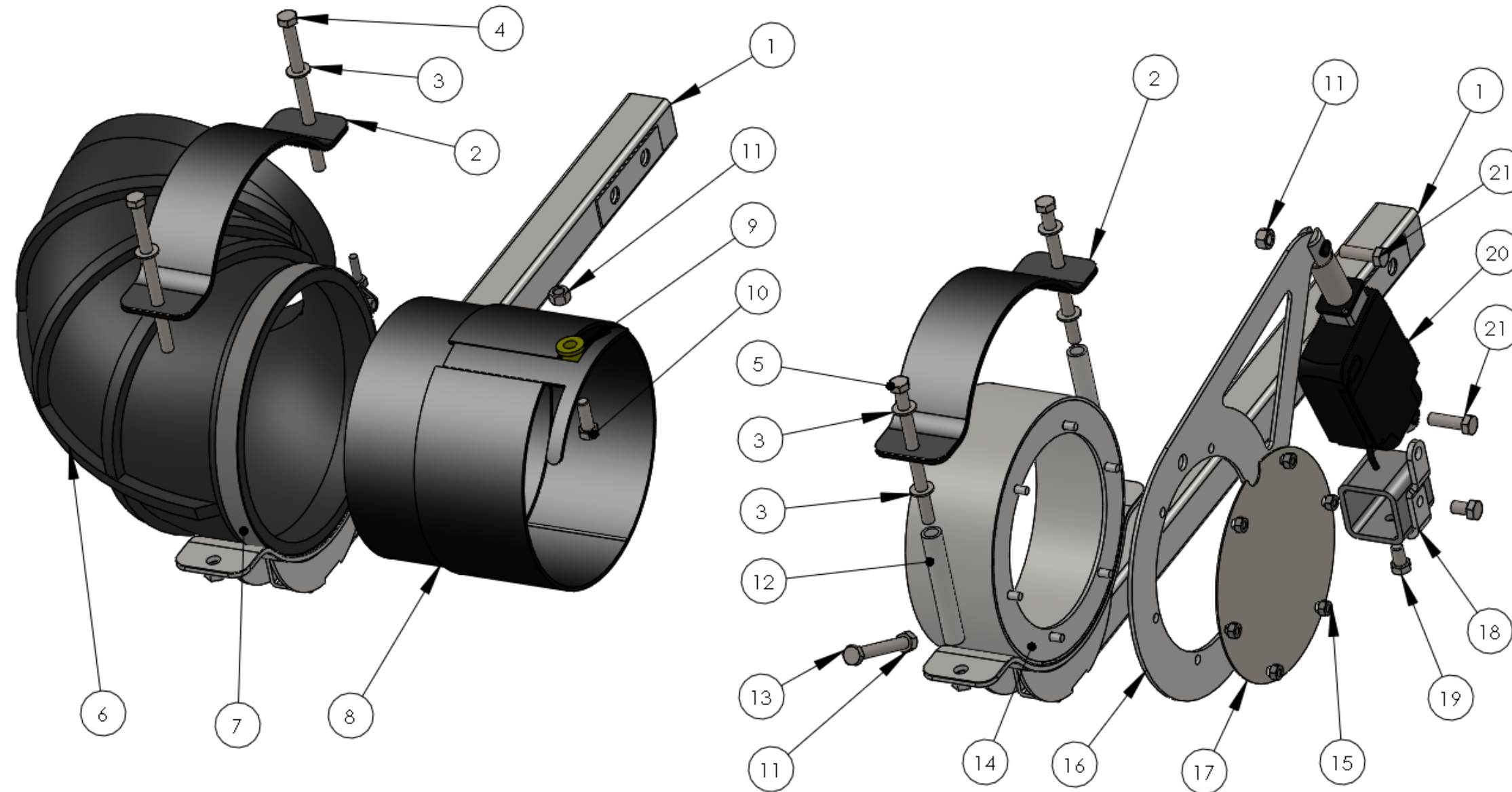
Item	Part #	Description	Qty
1	AWS0306 AWS0307	Frame Support, LH Frame Support, RH	1
2	AWS0425	Top Link Bracket	1
3	AWS0413	Top Link, 11"	1
4	AWS0407	Universal Bracket Channel	1
5		1/2" nc x 1" Hex Bolt	6
6		1/2" nc Stover Lock Nut	6
7		3/8" nc x 1" Flange Hex Self Tap	8
8		3/8" x 1" Hex Bolt	10
9		3/8" nc Flange Hex Nut	10
10	AWS0294 AWS0508 AWS0412	Shaft, 14" Heads <30' Shaft, 48" 30' Heads Shaft, 72" 35' Heads	1
11	AWS0457	Pto Shaft Assy. 21sp -1-3/8rb W pin	1
12	AWS0451 AWS0453 AWS0454 AWS0455	PTO COMPONENTS Yoke 21spl Quick Release Yoke 1-3/8 round W/Bolt PTO Cross & Bearing Kit Shield Kit	1 1 2 1
13	AWSW0011	Key, 5/16" x 2"	1
14	AWS0826 AWS0827	Tie Chain Assembly PTO Storage Hook	1 1
15		Bolt, 5/16" x 2-3/4"	1
16		5/16" nc Lock Nut	1
17	AWS0240	PTO Guard	1
18	AWS0242	Universal Bearing Support	1
19	AWS0003	Bearing, 1-3/8" Wide Race w/ Collar	1
20	AWS0001	Bearing Flange PF207	1
21	AWS0420	Bearing Flange, Greasable	1
22	AWS0249	Universal Brace, Angle	1
23		3/8" nc x 1" Carriage Bolt	3
24		3/8" nc Serrated Flange Nut	8
25		3/8" nc Flat Washers	5
26		3/8" nc x 1" Bolt	2

Manifold Components



Item #	Part #	Description	Qty.
1	CALL AWS	Replacement Manifold (Includes Items 2 (Decal) & 3 (Balancer))	AR
2	AWS0781	Decal, Logo 48x8	1
3	AWS0202	Manifold Balancer	1
4		Pop Rivet 3/16 x 1/4	3
5		3/8nc x 1 Bolt	1
6	AWS0512	Flange Bushing	1
7		3/8 nc nyloc nut	1
8	AWS0163	U-Bolt 1/4nc x 8" S.S. (Incl. Item 9)	AR
9		1/4nc Nyloc Nut	AR
10	AWS0116	Nozzle Gasket	AR
11		Set Screw m8x10 S.S.	2
12	AWS0760	Nozzle Saddle, Cast w/ Set Screws	AR
13	AWS0762	Nozzle Tube, 48"	AR
14	AWS0767	Nozzle, 42" (Incl. Items 10-13)	AR
15	AWS0091	Elbow 90 x 8"	2
16	AWS0086	Hose Clamp 8.75"	8
17	AWS0410	Flex Hose, 8 x 60"	1
18	AWS0085	Hose Clamp, 8.25"	2
19	AWS0090	Transition Tube Support	1
20		1/2nc Locknut	1
21	AWS0153	Saddle, With Stud	1
22	AWS0087	Transition Tube (Incl. Item 23)	1
23	AWS0782	Decal, Logo 24x4	1

End Cap and Lock Sleeve

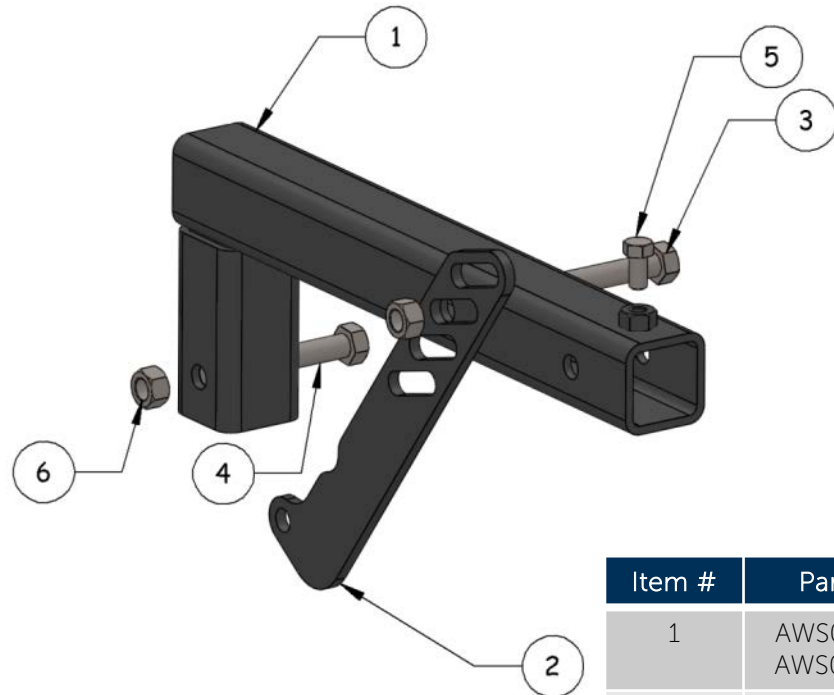


**AWS0814 End Cap Assembly, w/
lever includes items
11,13,14,15,16,17**

Item #	Part #	Description	Qty.
1	AWS0102	Manifold Arm	2
2	AWS0123	Saddle Clamp	2
3		Washer, 3/8	6
4		Bolt, 3/8ncX 5-1/2, gr8	2
5		Bolt, 3/8nc X 5, gr8	2
6	AWS0091	Elbow, 90	1
7	AWS0086	Hose Clamp, 8.75"	1
8	AWS0092	Lock Sleeve	1
9	AWS0512	Bushing, Shoulder	1
10		Bolt, 3/8nc x 1	1
11		Locknut, 3/8nc	4
12	AWS0479	Spacer, End Cap	2
13		Bolt, 3/8nc x 3	1
14	AWS0810	End Cap Base	1
15		Flange Nut, 1/4nc	6
16	AWS0811	End Cap Arm	1
17	AWS0813	End Cap Plate, 6 bolt	1
18	AWS0103	Actuator Pivot	1
19		Bolt, 3/8nf x 5/8	2
20	AWS0546	Actuator, Manifold Tilt	1
21	AWS0514	Actuator Bolt	2

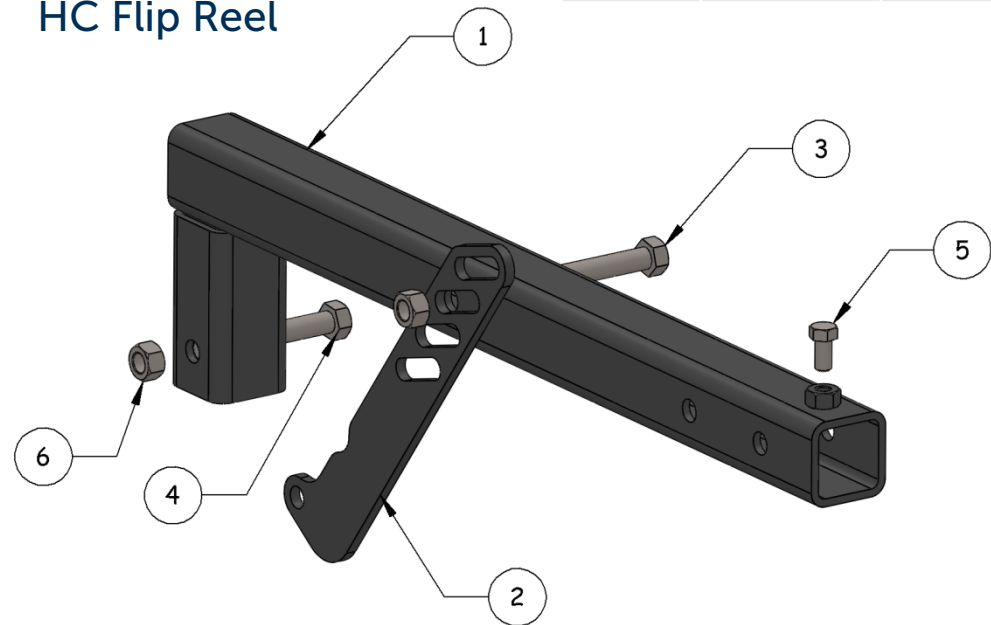
Mount Arms

Right Assembly, HC Reel

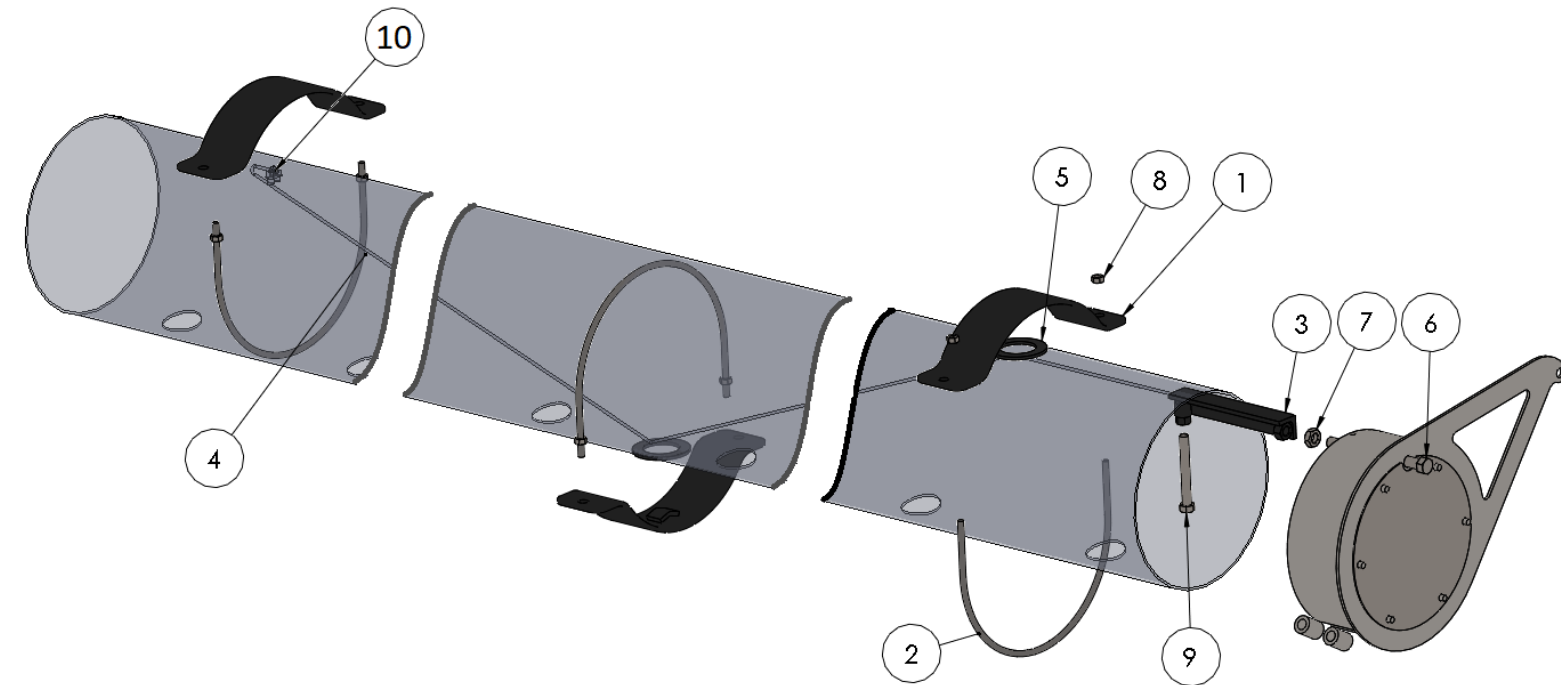


Item #	Part #	Description	Qty.
1	AWS0445 AWS0506	Agco 8200 Mount Arm Agco 8200 Mount Arm, Ull / Flip	2
2	AWS0109	Adjusting Link, 11"	2
3		Bolt, 1/2" nc x 3"	2
4		Bolt, 1/2" nc x 3-1/2"	2
5		Bolt, 3/8" nc x 1"	2
6		Stover Lock Nut	4

Left Assembly, Ull or HC Flip Reel

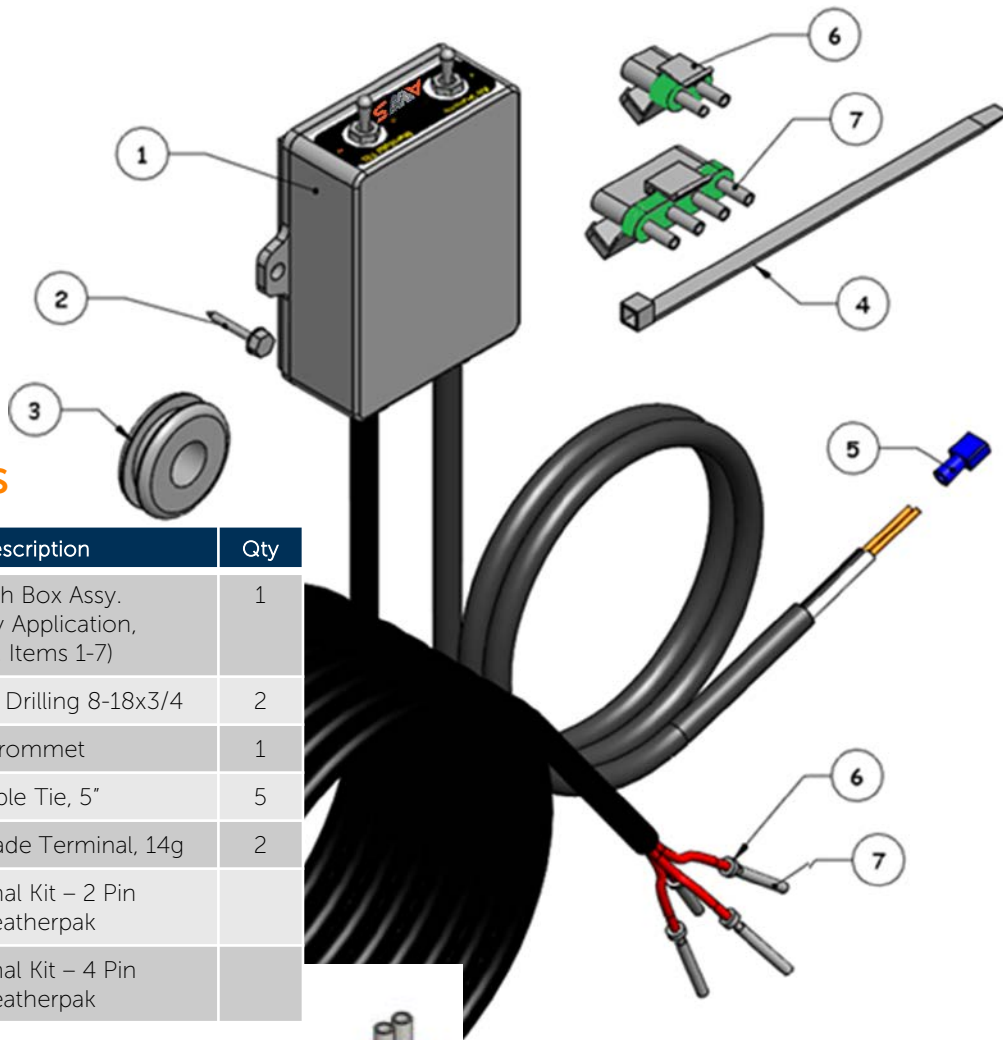


(35ft Only) Cable Kit Assembly



Item #	Part #	Description	Qty.
	AWS0430	Cable Kit (Incl. Items 1-10)	
1	AWS0435	Saddle, Cable Support	3
2	AWS0163	8" U- Bolt (Incl. Item 8)	3
3	AWS0433	Cable Tensioner	1
4	AWS0427	1/8" Steel Cable (per ft.)	+35 ft
5	AWS0015	7/16" nc x 5" Hex Bolt	1
6	AWS0116	Gasket	3
7	AWS0016	7/16" nc Jam Nut	1
8		1/4"nc Nyloc Nut	6
9		3/8"nc x 3" Hex Bolt	1
10		Cable U-Clamp	1

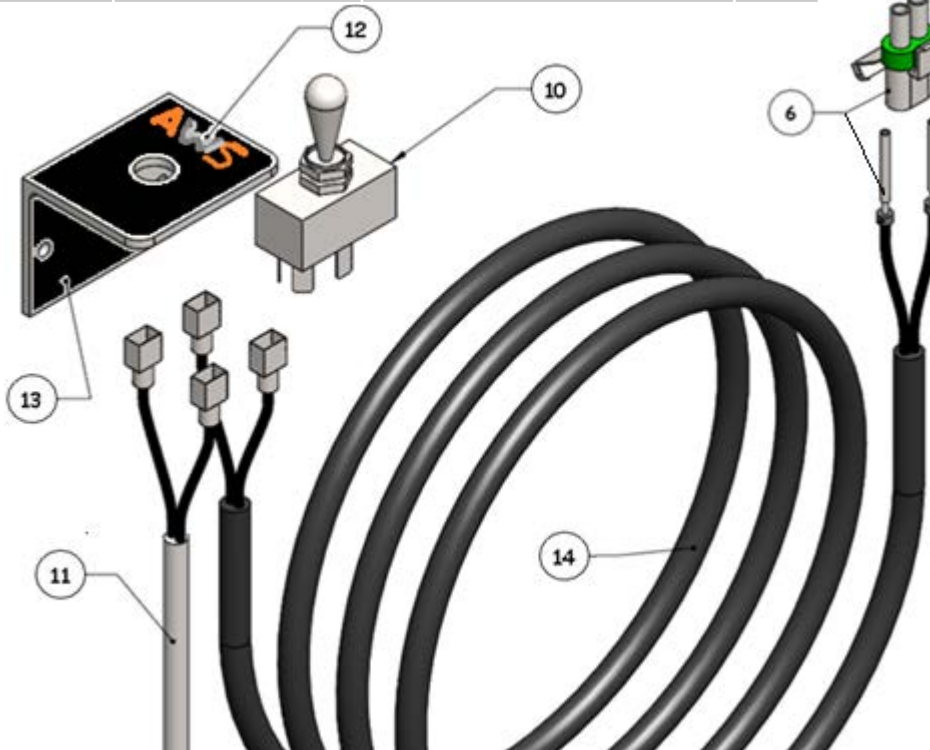
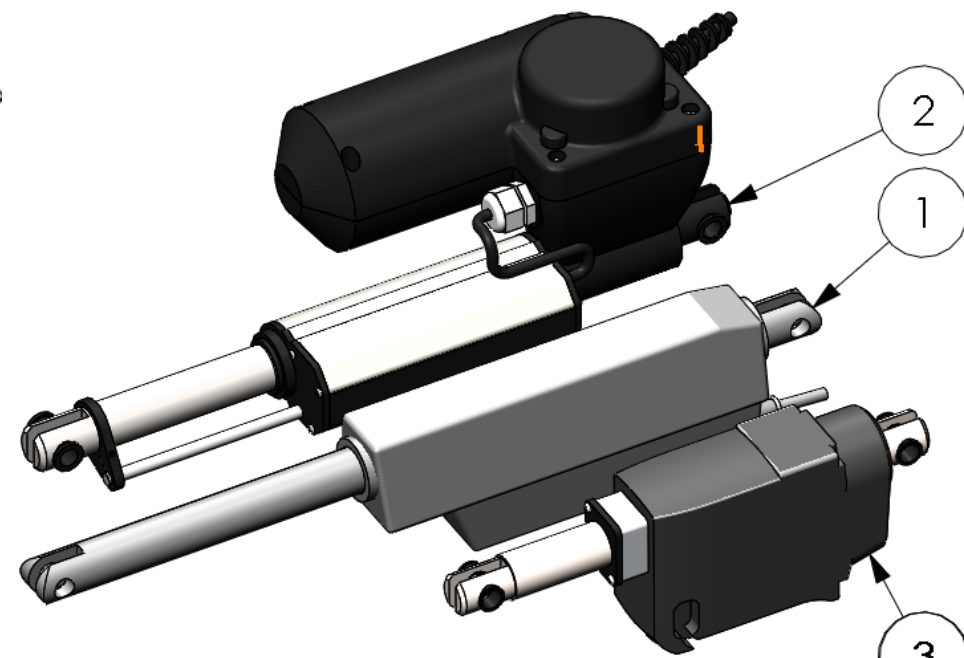
Dual Switch Controls



Item #	Part #	Description	Qty
1	AWS0422	Switch Box Assy. Specify Application, (Incl. Items 1-7)	1
2	HDTHE2ZI81812	Screw, Self Drilling 8-18x3/4	2
3	HNYGR51634116	Grommet	1
4	AWS0264	Cable Tie, 5"	5
5	AWS0402	Female Spade Terminal, 14g	2
6	AWS0097K	Terminal Kit – 2 Pin Weatherpak	
7	AWS0320K	Terminal Kit – 4 Pin Weatherpak	

Actuators

Item #	Part #	Description	Qty
1	AWS0095	Actuator, Fan Control LA12	1
2	Call AWS	Actuator, Manifold Tilt Single Manifold -2014	1
3	AWS0546	Actuator, Manifold Tilt Single Manifold 2014- (Incl. Item 4)	1
4	AWS0546B	Actuator Harness LA23 (Incl. Clip & Connector, Fits Item 4 only)	1



Single Switch Controls

Item #	Part #	Description	Qty
10	AWS0385	Switch, DPDT Crossover	1
11		Power Lead, Specify Application	1
12	AWS0066	Decal, Switch Bracket	1
13	AWS0386	Switch Bracket (Incl. Item 12)	1
14	AWS0099	Combine Harness, Single 20'	1
	AWS0385K	Single Switch Kit, (Incl. Items 10-14)	

Header Harness

Item #	Part #	Description	Qty.
8	AWS0100 AWS0101 AWS0580	El. Harness Assy, 33ft El. Harness, Twin Fan 21+11' El. Harness Assy, 21'	1
9	AWS0263	Cable Clip, 3/16 Hole	AR

