

Parts Listing

Airbar® Parts List Case IH 1020 LH Fan (Pre-2016 Models)



more **yield**
from your **field**

with air-assist harvesting

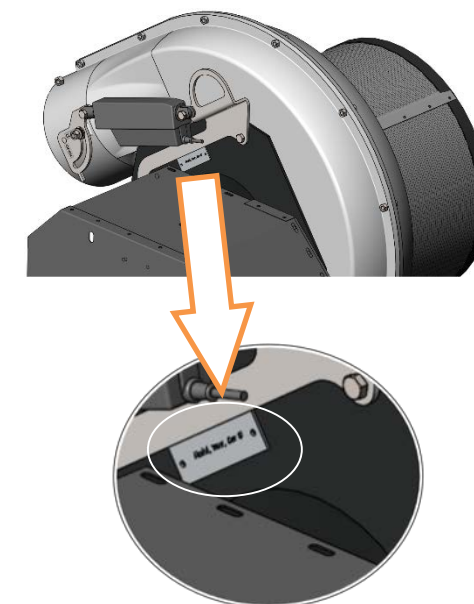
Parts Order Information

Parts Order Information:

To best fulfill your parts requirements, Gather the following information before contacting us:

- Header Make / Model
- AWS Fan SN (location shown in picture)

If you have any questions regarding the suitability of the parts you receive, please call the above number ASAP so that we can assist in ensuring the parts are correct and used properly.



Fan Serial Number Location

The serial number plate for the fan is located on the fan mounting plate, below the throttle actuator mounting bracket.

Drive Identification

AWS uses 3 different secondary belt drive ratios depending on combine model; parts in this book are referenced as "A", "B" or "C" Drive for simplification. There are 2 methods of identifying the drive ratio:

1. Via the serial number (Either the 4th or 6th digit of the SN will be A,B or C)
2. Via combine manufacturer:

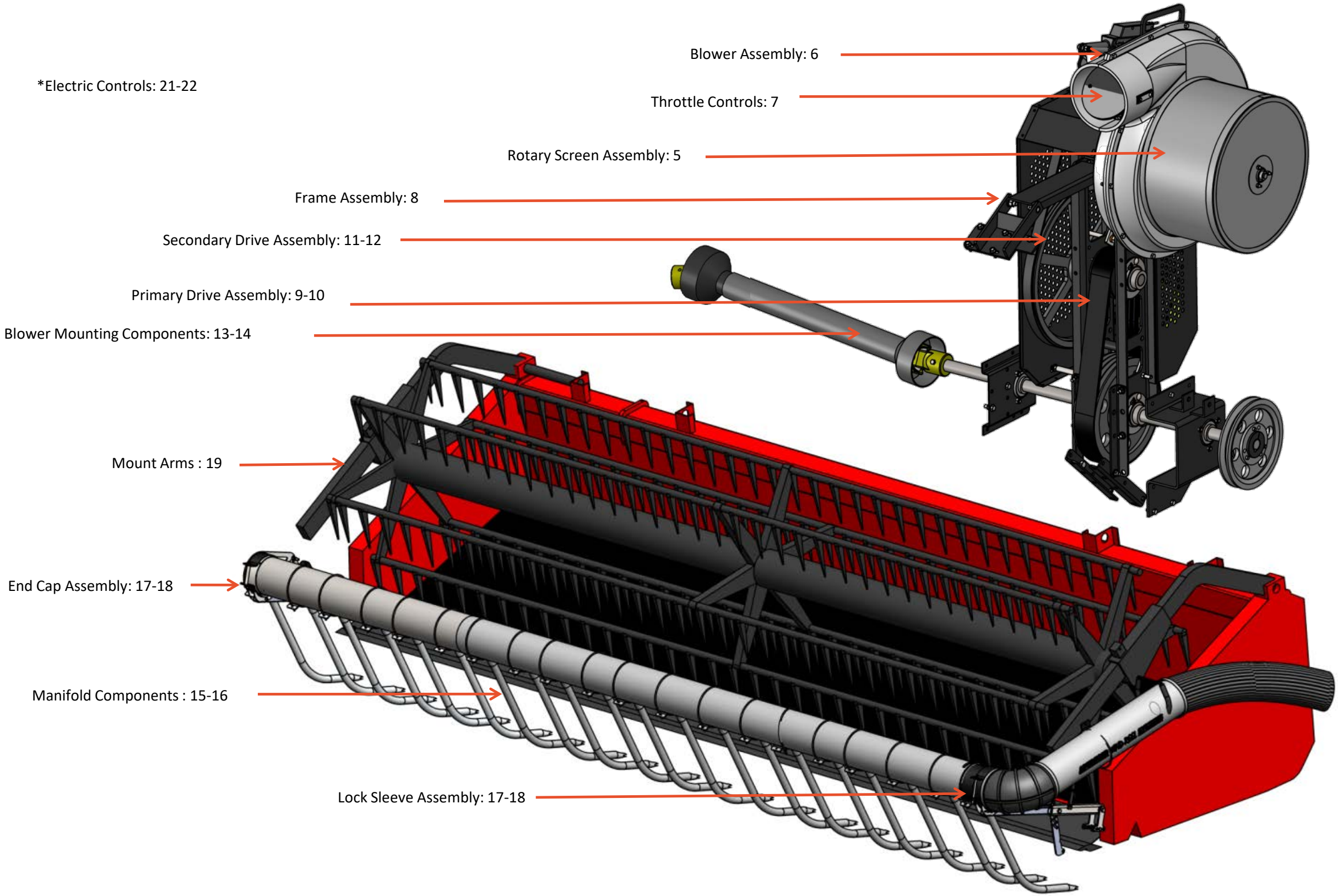
A Drive - John Deere, Case IH (Max 550 rpm Input)

B Drive - Gleaner, New Holland, Cat (550-600 rpm Input)

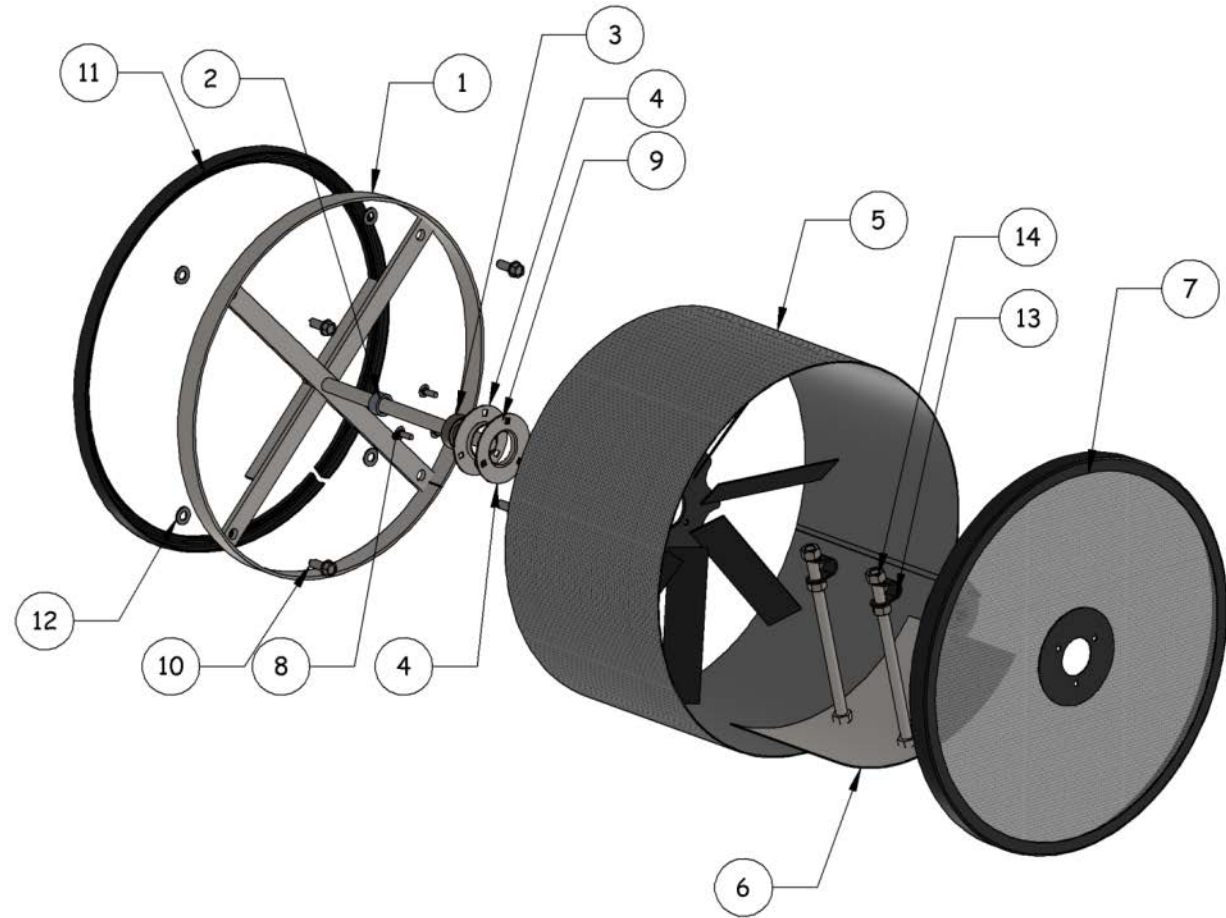
C Drive - Claas (600-720 rpm Input)

Terms and Conditions:

1. All goods are F.O.B Mitchell, Ontario, Canada or Minot, ND USA
2. All Parts include 30 day warranty of defects.
3. Please indicate preferred shipment method with order (due to our shipping volume it is typically most cost effective to have parts shipped out prepaid, with shipping costs shown on the parts invoice).
4. Returns accepted within 12 months of purchase, must be unused and are subject to a 10% handling fee. They must be shipped back to AWS prepaid with prior authorization.

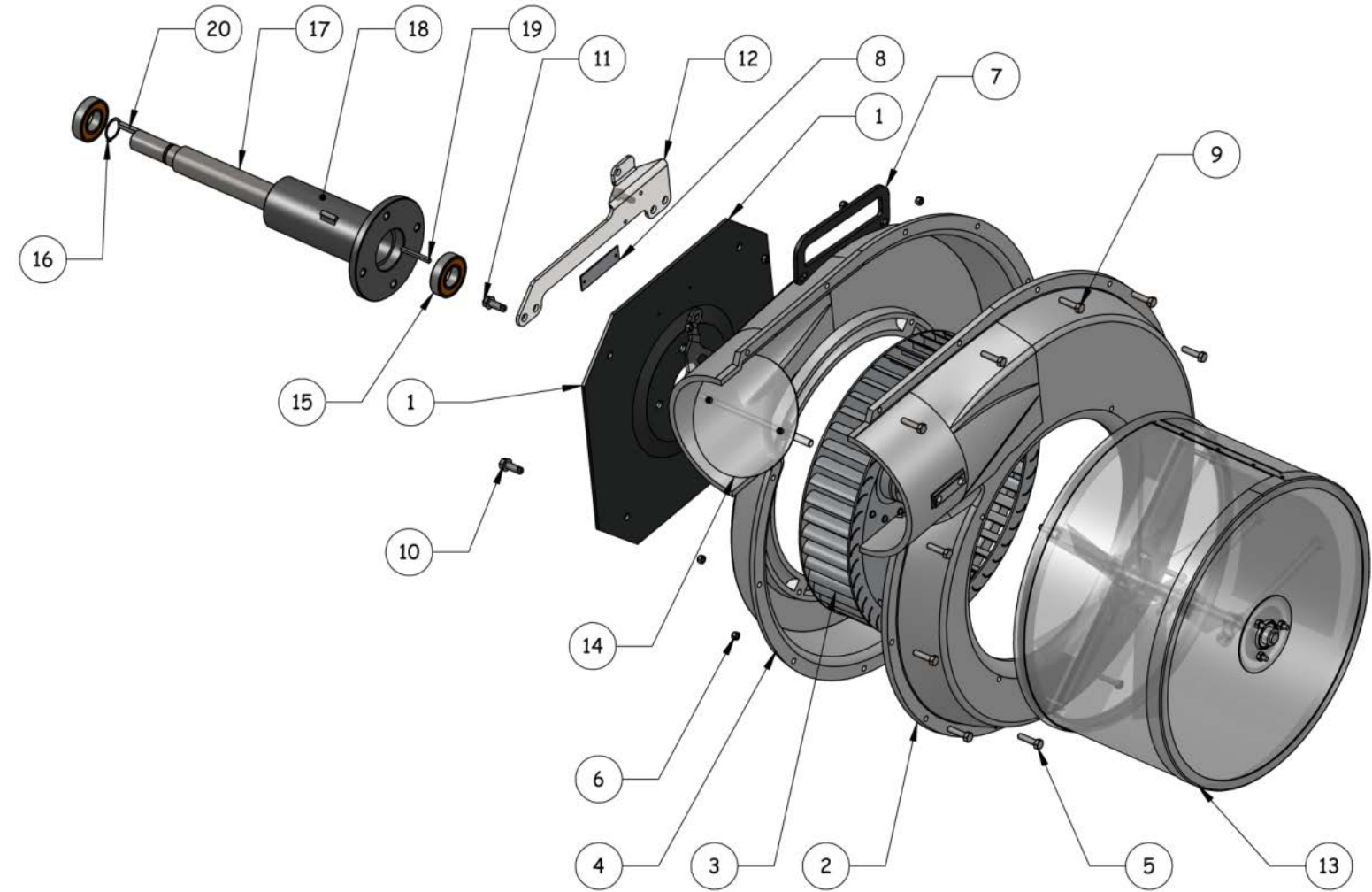


Rotary Screen Assembly



Ref.	Part Number	Description	Qty.
1	AWS0076	Rotary Screen Support	1
2	AWS0384	Rotary Screen Spacer, 3/4 x 1/2	1
3	AWS0078	Bearing, Rotary Screen, AS202-101	2
4	AWS0079	Bearing Flange, PF203	4
5	AWS0077L	Rotary Screen, Left	1
6	AWS0081	Clean Out Plate	1
7	AWS0080	Rotary Screen Cap	1
8	HCAG5ZI142034	Bolt, 1/4nc x 3/4 Carriage	6
9	HLNSTACZI1420	Nut, 1/4 nc Nylock	6
10	HTCHWZI38161	Bolt 3/8 nc x 1 Self Tapping	4
11	AWS0088	Rotary Screen Seal	opt
12	HSAZI38	Washer, 3/8 Flat	4
13	AWS0082	Clevis	2
14	HLNSTACZI1213	1/2 nc Lock Nut	4
	AWS0230	Rotary Screen Assy. Specify Application	

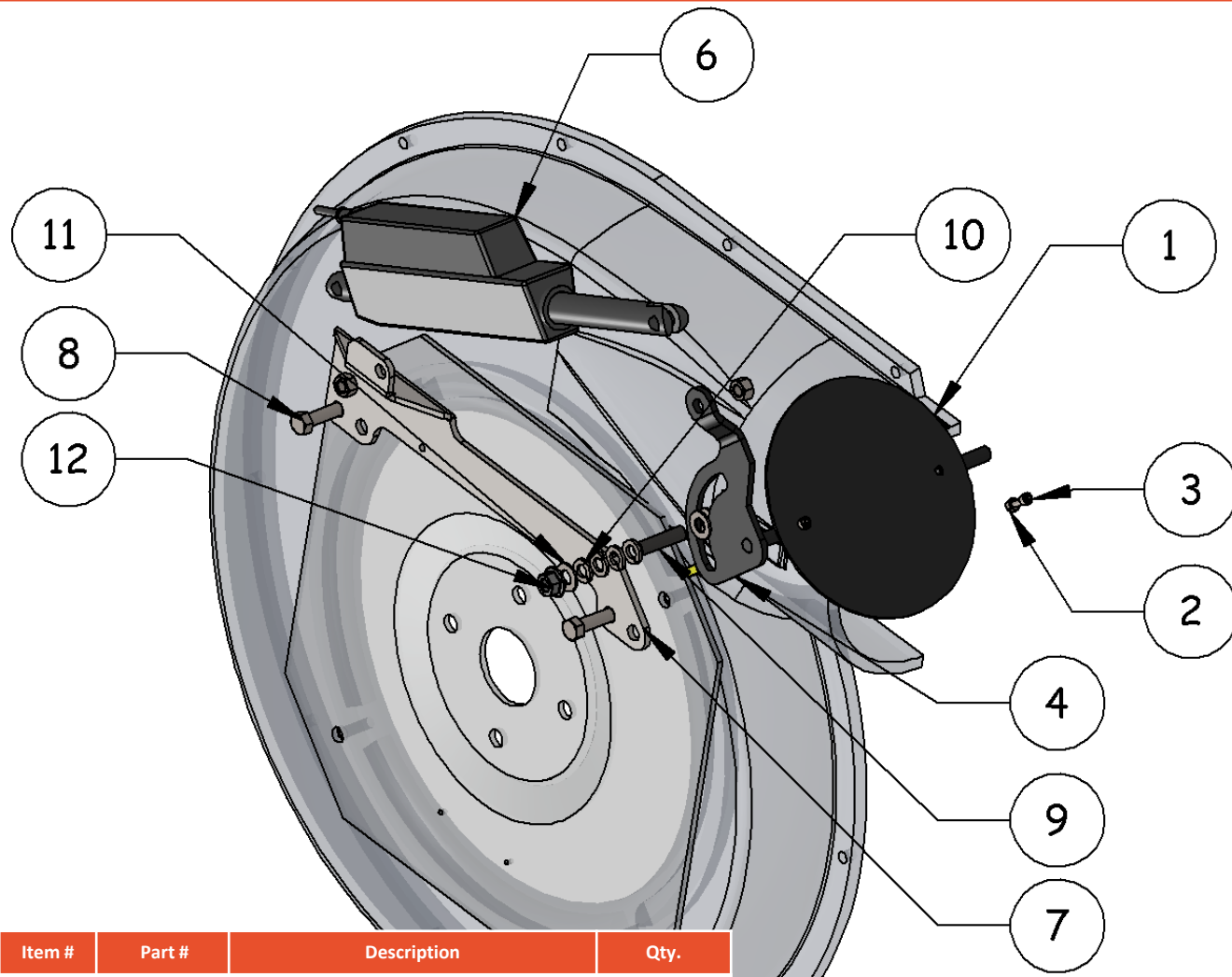
Blower Assembly



Ref.	Part Number	Description	Qty.
1	AWS0067	Fan Plate	1
2	AWS0068	Fan Housing, LH	1
3	AWS0072	Impeller, Left Hand H7/8 Hub (Included with Impeller)	1
4	AWS0069	Fan Housing, RH	1
5		Bolt, 5/16nc x 1-1/4	10
6		Nut, 5/16nc Nylock	12
7	AWS0157	Lift Hook	1
8	AWS0065	Serial Number Plate	1
9		Bolt, 5/16nc x 1-1/2 (Bolts for Hook)	2
10		Bolt, 3/8nc x 1 Self Tapping Flange	2

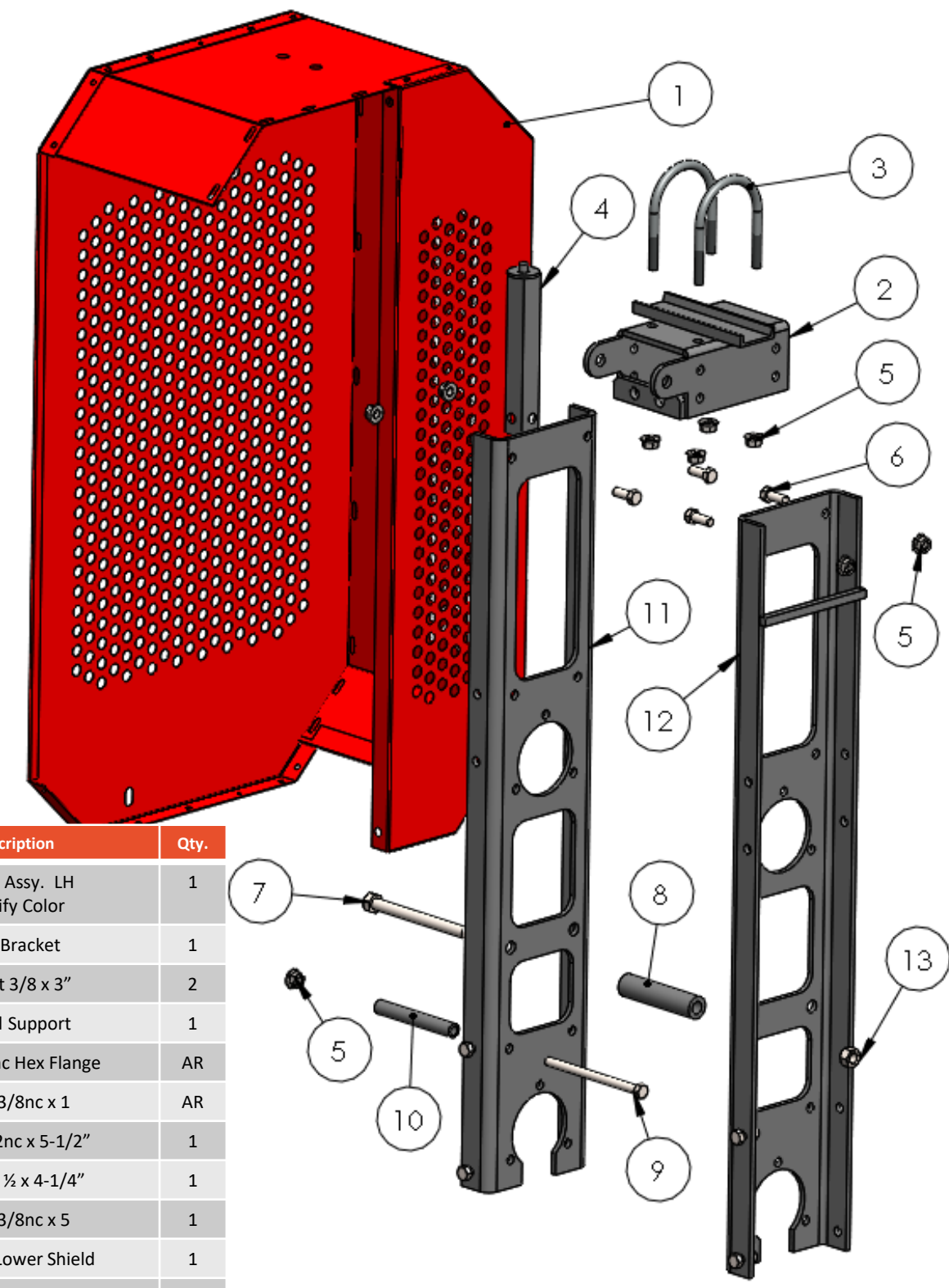
Ref.	Part Number	Description	Qty.
11		Bolt, 3/8nc x 1-1/4	2
12	AWS0203L	Actuator Mount Left	1
13	AWS0230L	Rotary Screen Assembly, Left, See Page 5	1
14		Throttle Control: See Page 7	1
15	AWS0037	Bearing, Fan Shaft 6206-2RSC3	2
16	AWS0036	Snap Ring, 1-1/8 EXT.	1
17	AWS0035	Fan Shaft, 14"	1
18	AWS0038	Fan Shaft Housing, 7.5"	1
19	AWS0073	Key, 3/16X1-1/2	1
20	AWS0034	Key, 1/4X2	1

Throttle Controls



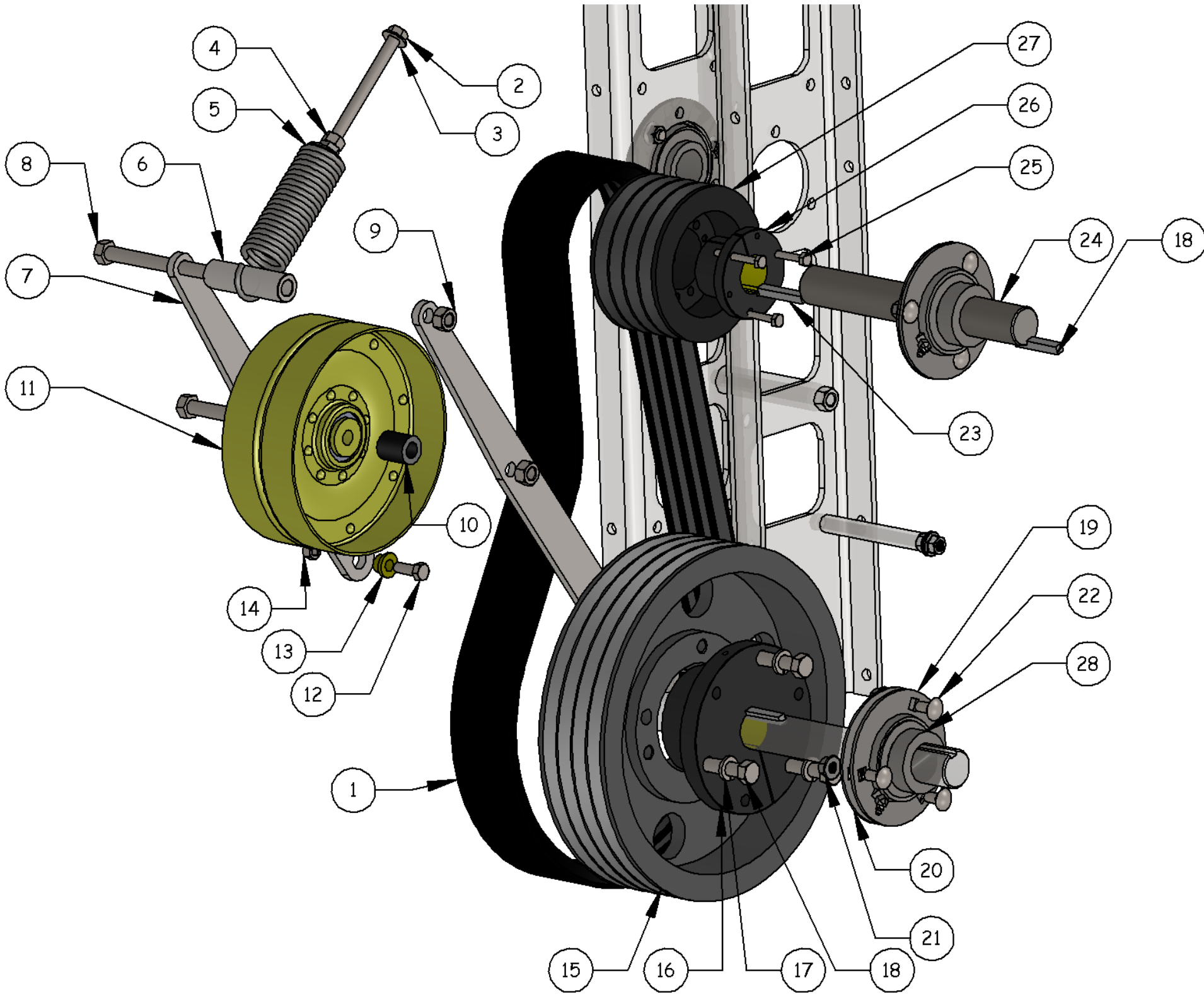
Item #	Part #	Description	Qty.
1	AWS0114	Throttle Plate	1
2	AWS0231	Bolt, 10-32 Socket Head Cap	2
3	AWS0232	Nut, 10-32 SS Nyloc	2
4	AWS0214	Throttle Shaft, LH Electric	1
5	AWS0514	Bolt, Actuator	2
6	AWS0095	Actuator, Throttle Control	1
7	AWS0203 L	Actuator Mount, LH	1
8		Bolt, 3/8ncX1-1/4	1
9	AWS0171	Stud, M10-1.50	1
10	AWS0170	Spring Washer	4
11		Washer, 3/8 Flat	3
12	AWS0172	Nut, M10-1.50Flange Nyloc	1

Frame Assembly



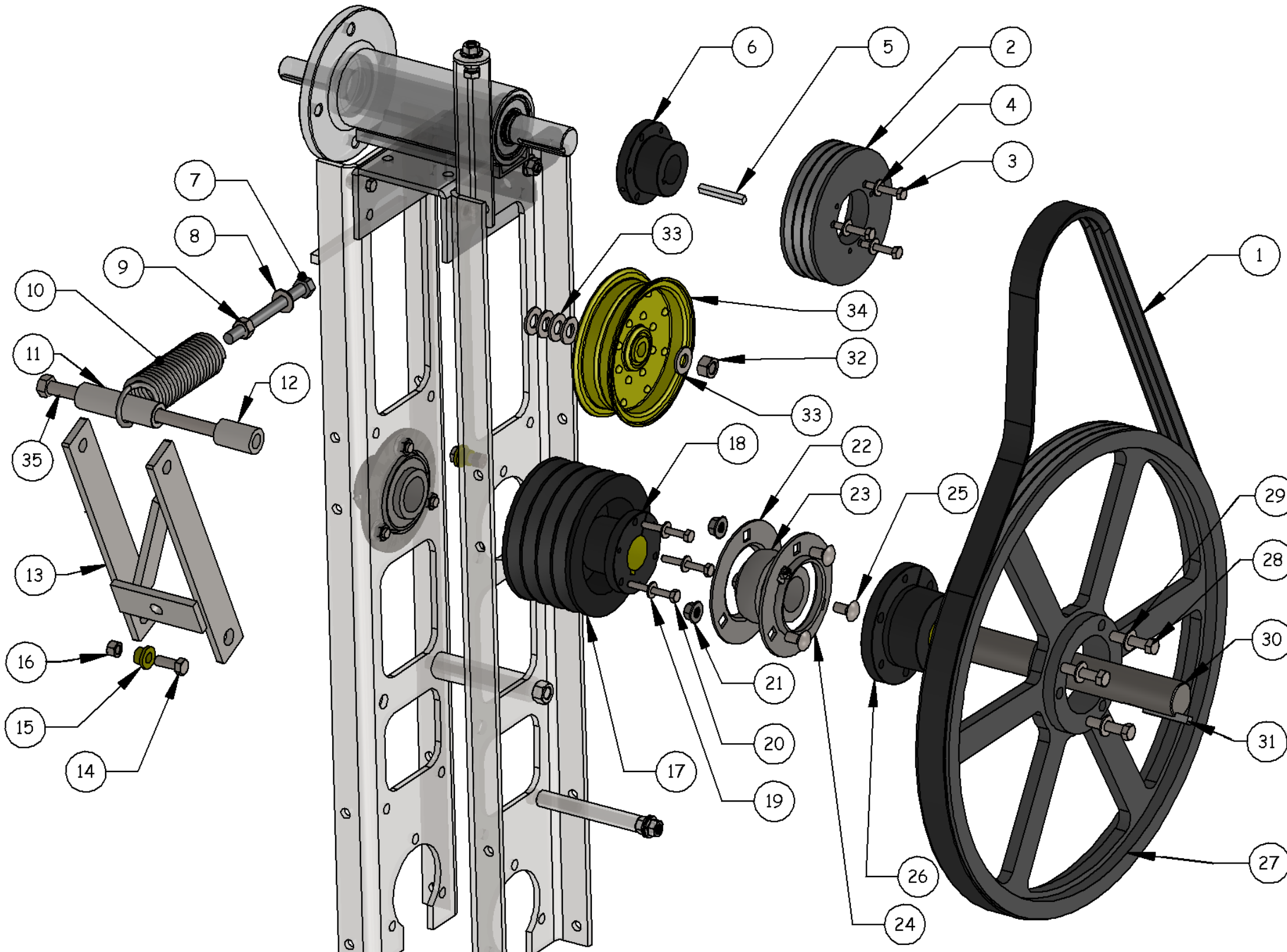
Item #	Part #	Description	Qty.
1	AWS0049	Shield Assy. LH Specify Color	1
2	AWS0126	Top Bracket	1
3	AWS0039	U-Bolt 3/8 x 3"	2
4	AWS0045	Shield Support	1
5		Nut, 3/8nc Hex Flange	AR
6		Bolt, 3/8nc x 1	AR
7		Bolt, 1/2nc x 5-1/2"	1
8	AWS0042	Spacer, 1/2 x 4-1/4"	1
9		Bolt, 3/8nc x 5	1
10	AWS0047	Spacer, Lower Shield	1
11	AWS0040	Frame Rail, Fan Side	1
12	AWS0041	Frame Rail, Drive Side	1
13		Nut, 1/2nc Stover Locknut	1

Primary Drive Assembly



Item #	Part #	Description	Qty.
1	AWS0020	Belt, 5VX630-4	1
2	AWS0015	Bolt, 7/16ncX5 Tap	1
3		Flat Washer, 7/16	1
4	AWS0016	Jam Nut, 7/16nc	1
5	AWS0014	Spring, Extension	1
6	AWS0017	Spacer, 1/2X 3-1/2	1
7	AWS0013	Idler Arm, Primary	2
8		Bolt, 1/2ncX5	2
9		Nut, 1/2nc Stover Lock	2
10	AWS0018	Spacer, 1/2X1-3/16	2
11	AWS0012	Idler, HM Primary	1
12		Bolt, 3/8ncX1	2
13	AWS0512	Bushing, Bronze	2
14		Nut, 3/8nc Stover Lock	2
15	AWS0211	Sheave, 5VX12.5-4	1
16	AWS0008	Bushing E 1-3/8	1
17		Lock Washer, 1/2 (w/16)	3
18		Bolt, 1/2ncX2-1/2 Tap (w/16)	3
19	AWS0420	Bearing Flange, Greasable	4
20	AWS0001	Bearing Flange, PF207	4
21		Nut, 3/8nc Flange	12
22		Bolt, 3/8ncX3/4 Carriage	12
23	AWS0011	Key, 5/16 x 2	3
24	AWS0021	Shaft, Secondary HM	1
25		Bolt, 1/4ncX2 Tap (w/26)	3
26	AWS0022	Bushing, SD 1-3/8	1
27	AWS0024	Sheave, 5V5.50-4	1
28	AWS0003	Bearing, 1-3/8 w/ Collar	4

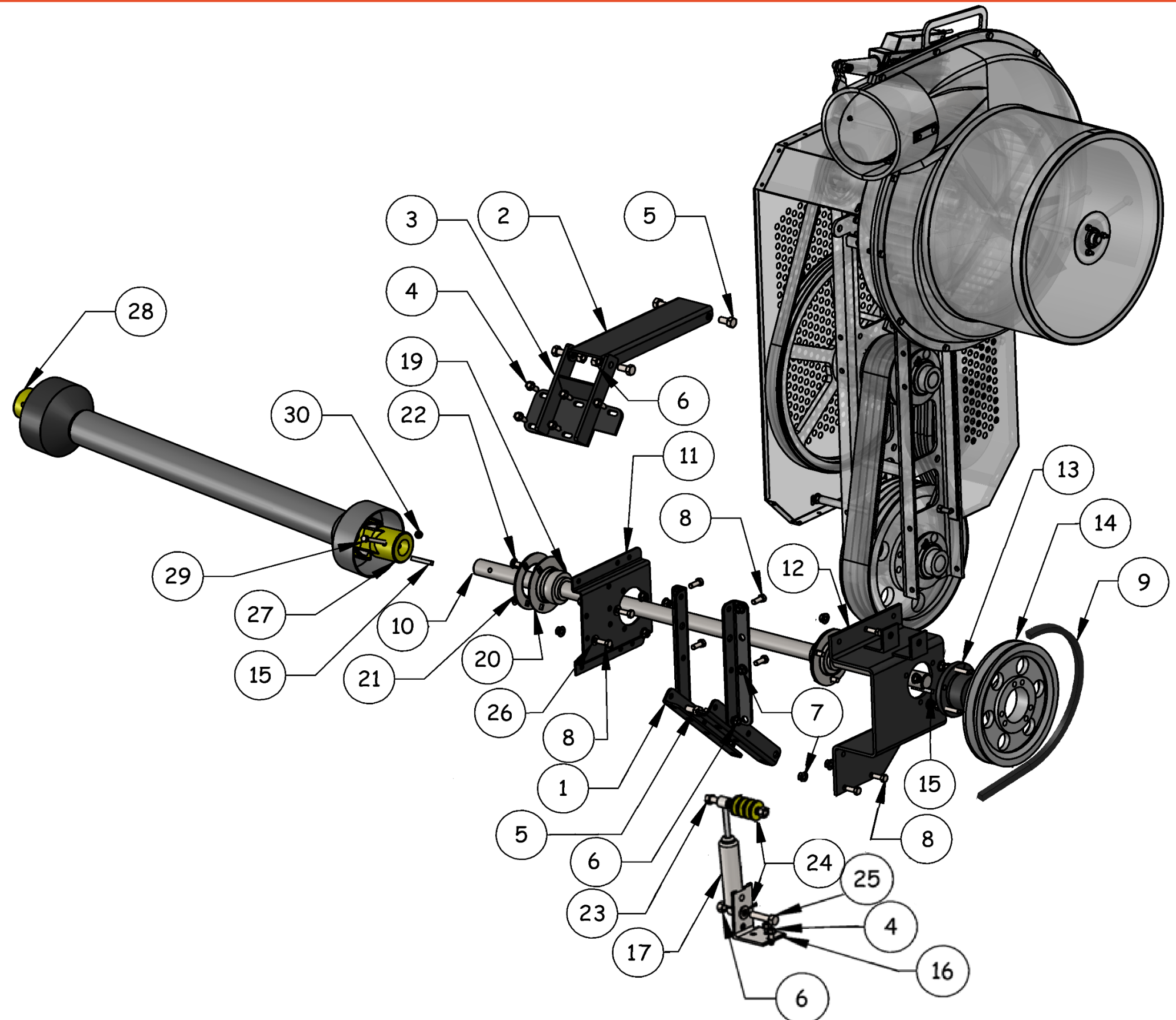
Secondary Drive Assembly

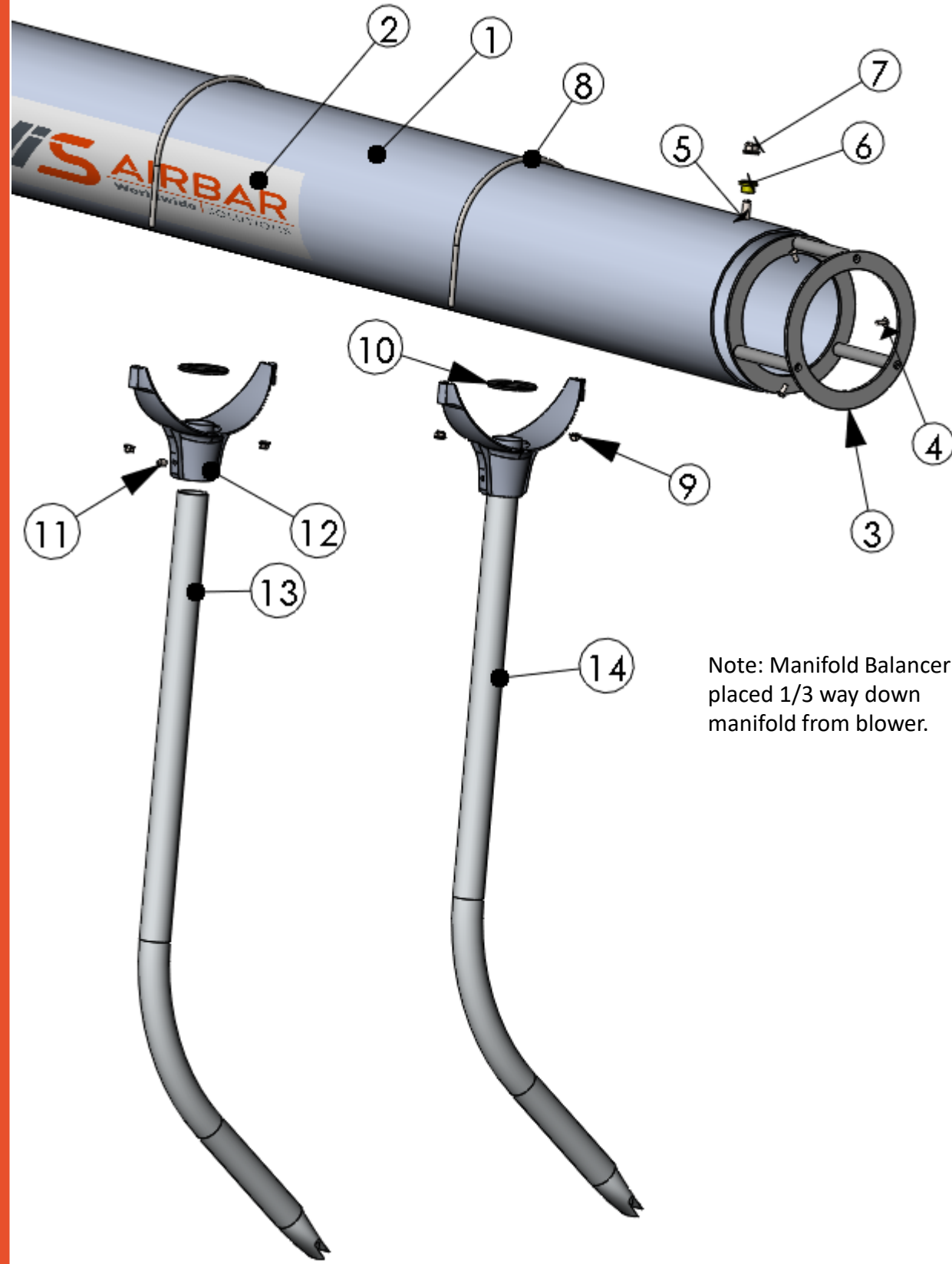


Item #	Part #	Description	Qty.
1	AWS0025	Belt, 3VX750-3	1
2	AWS0029	Sheave, 3VX5.30-3	1
3		Bolt, 1/3ncX1-1/2, Tap (w/6)	3
4		Lock Washer ¼ (w/6)	3
5	AWS0034	Key, 1/4X1-1/4	1
6	AWS0033	Bushing SDS 1-1/8	1
7	AWS0015	Bolt, 7/16ncX5 Tap	1
8		Flat Washer, 7/16	1
9	AWS0016	Jam Nut, 7/16	1
10	AWS0014	Spring, Extension	1
11	AWS0017	Spacer, 1/2X 3-1/2	1
12	AWS0112	Spacer, 1/2X 2-3/8	1
13	AWS0113	Idler Arm	1
14		Bolt, 3/8ncX1	2
15	AWS0512	Bushing, Bronze	2
16		Nut, 3/8nc Stover Lock	2
17	AWS0024	Sheave, 5VX5.50-4	1
18	AWS0022	Bushing, SD 1-3/8	1
19		Lock Washer ¼ (w/18)	3
20		Bolt, 1/4ncX2 Tap (w/18)	3
21		Nut, 3/8nc Flange	6
22	AWS0001	Bearing Flange, PF207	2
23	AWS0003	Bearing, 1-3/8 Wide Race w/ Collar	2
24	AWS0420	Bearing Flange, Greasable	2
25		Bolt, 3/8nc X3/4 Carriage	6
26	AWS0032	Bushing, SF 1-3/8	1
27	AWS0026	Sheave, 3VX19.0-3	1
28		Bolt, 3/8ncX2-1/2 (w/26)	3
29		Lock Washer, 3/8 (w/26)	3
30	AWS0021	Shaft, Secondary	1
31	AWS0011	Key, 5/16X2	2
32		Nut, 1/2nc Stover Lock	1
33		Flat Washer, ½	A/R
34	AWS0111	Idler, 5"	1
35		Bolt, 1/2 nc x 8-1/2	

Mounting and Drive Components

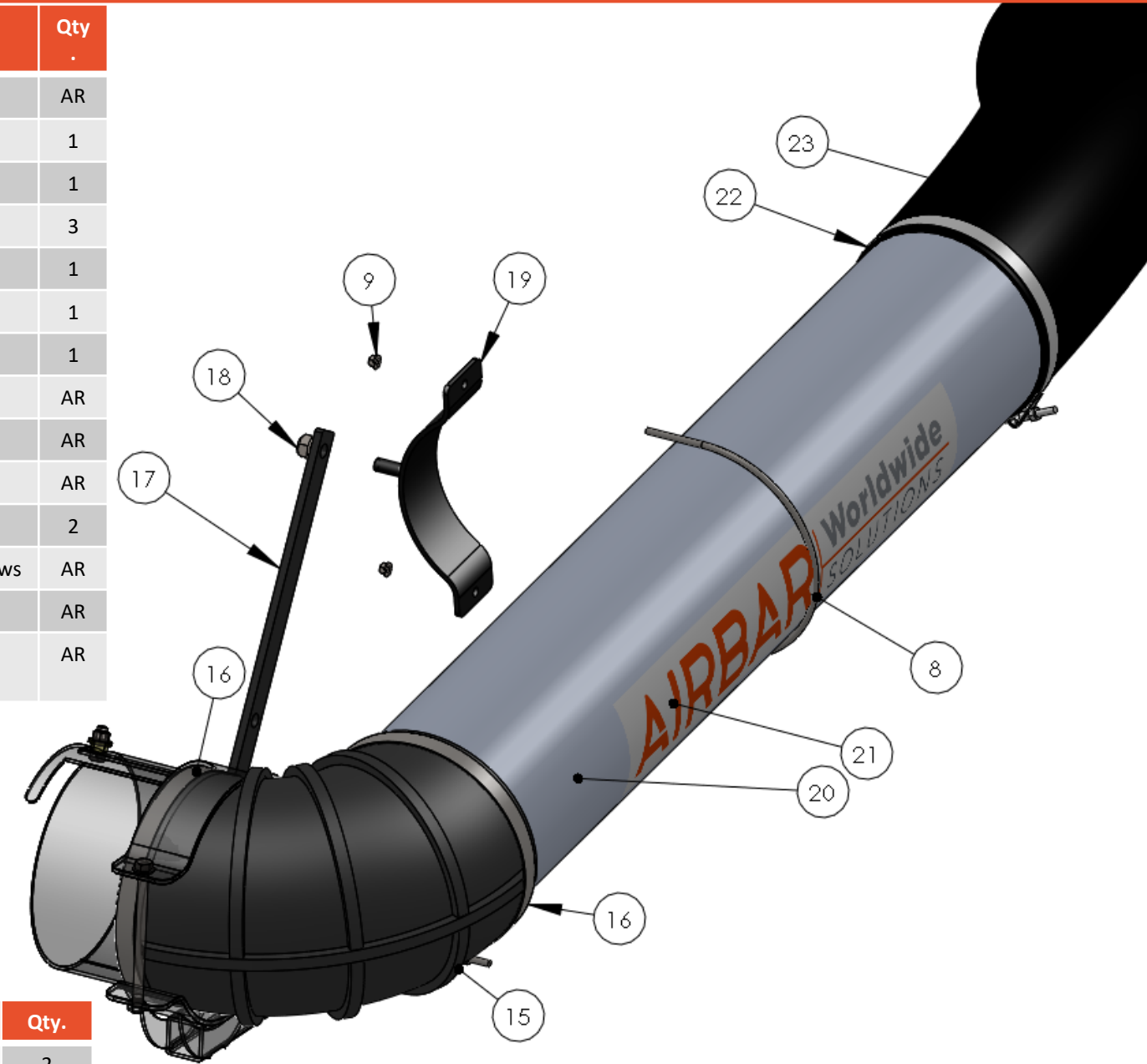
Item #	Part #	Description	Qty.
1	AWS0638	Lower Support Angle	4
2	AWS0424	Top Link, 14"	1
3	AWS0051	Case 1020 Top Link Bracket	1
4		3/8" nc x 1" Hex Flange Self Tap	12
5		1/2" nc x 1" Hex Bolt	6
6		1/2" nc Stover Lock Nut	6
7		3/8" nc Flange Nut	17
8		3/8" nc x 1" Hex Bolt	11
9	AWS0059 AWS0061	Belt, C-114 Belt, C-115	1 opt
10	AWS0351 AWS0352 AWS0353 AWS0354 AWS0355	Case Shaft, 17.5' Case Shaft, 20' Case Shaft, 22.5' Case Shaft 25' Case Shaft, 30'	1
11	AWS0057	Case Bearing Support	1
12	AWS0288	Case End Bracket, HM	1
13	AWS0032	Bushing, SF 1-3/8"	1
14	AWS0309 AWS0310	Sheave, C10.0-1 Sheave, C10.5-1	1 Opt.
15	AWS0011	Key, 5/16" x 2"	1
16	AWS0304	Shock Bracket	1
17	AWS0196	Shock w/ Bushings	1
19	AWS0003	Bearing, 1-3/8" Wide Race w/ Collar	2
20	AWS0001	Bearing Flange PF207	2
21	AWS0420	Bearing Flange, Greasable	2
22		3/8" nc x 3/4" Carriage Bolt	6
23		1/2" nc x 3" Hex Bolt	1
24		1/2" Flat Washer	+10
25		1/2" nc x 2" Hex Bolt	1
26	AWS0061	3/8" Flat Washer	2
27	AWS0460 AWS0461 AWS0453 AWS0454	PTO Assy. 1-1.8hex - 1-3/8 rb, 66L PTO Assy. 6sp - 1-3/8rb, 56L PTO Yoke, 1 3/8" With Pin PTO Cross Bearing W2400	1 Opt
28	AWS0449 AWS0452	PTO Yoke, 1-1/8 Hex QR PTO Yoke, 6 Spline QR	1 Opt
29		Bolt, 5/16" x 2-3/4"	
30		5/16" nc Lock Nut	





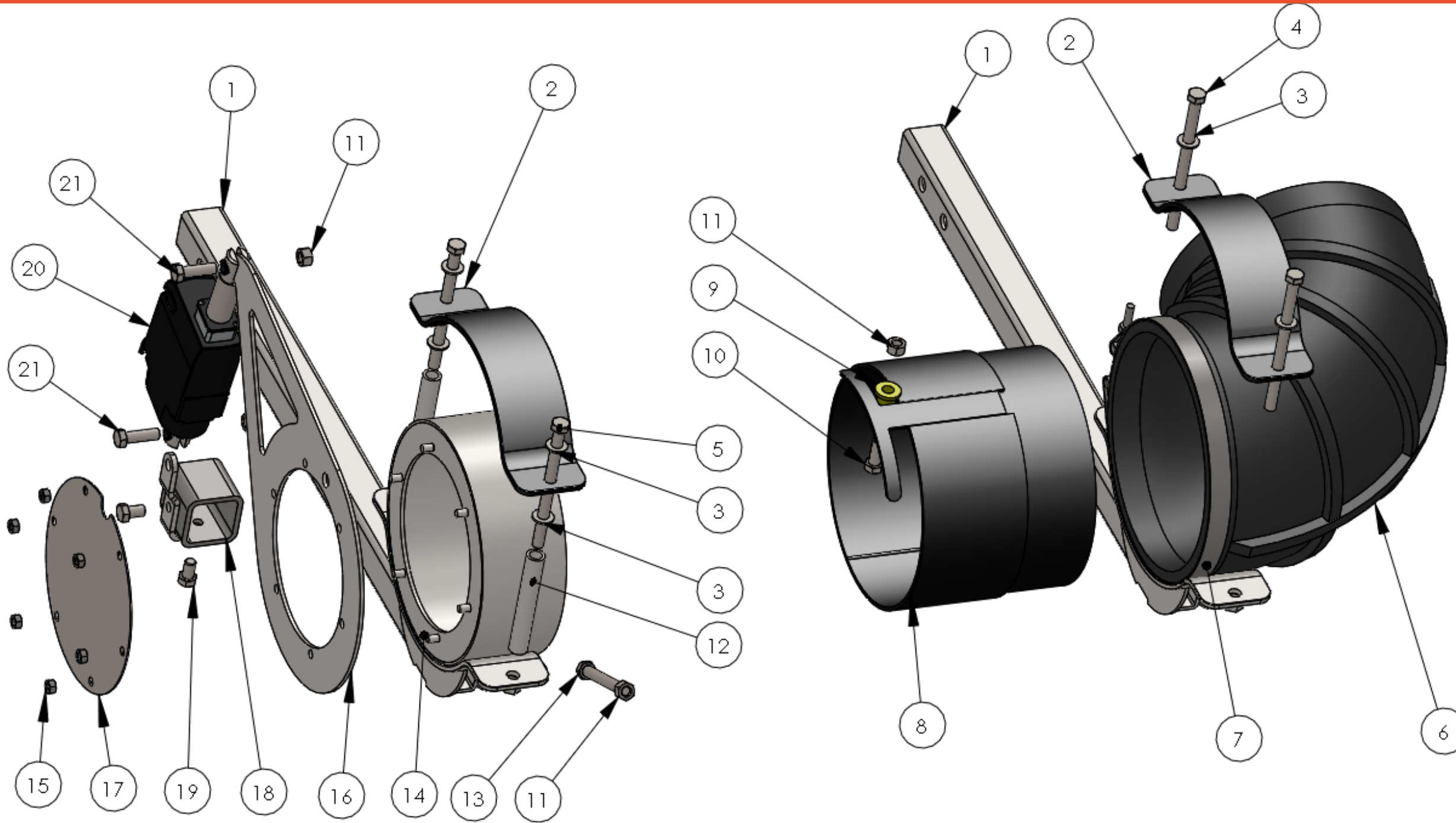
Note: Manifold Balancer placed 1/3 way down manifold from blower.

Item #	Part #	Description	Qty
1	AWS0174	Manifold, 0.072Wall 630 /ft	AR
2	AWS0781	Decal, Logo 48x8	1
3	AWS0202	Manifold Balancer	1
4		Pop Rivet 3/16 x 1/4	3
5		3/8nc x 1 Bolt	1
6	AWS0512	Flange Bushing	1
7		3/8 nc nyloc nut	1
8	AWS0163	U-Bolt 1/4nc x 8" S.S	AR
9		1/4nc Nyloc Nut	AR
10	AWS0116	Nozzle Gasket	AR
11		Set Screw m8x10 S.S.	2
12	AWS0760	Nozzle Saddle, Cast w/Set Screws	AR
13	AWS0762	Nozzle Tube, 42"	AR
14	AWS0767	Nozzle, 42" (Incl. 12&13) Replaces AWS0177	AR



Item #	Part #	Description	Qty.
15	AWS0091	Elbow 90 x8"	2
16	AWS0086	Hose Clamp 8.75"	8
17	AWS0090	Transition Tube Support	1
18		1/2nc Locknut	1
19	AWS0153	Saddle, With Stud	1
20	AWS0087	Transition Tube	1
21	AWS0782	Decal, Logo 24x4	1
22	AWS0085	Hose Clamp. 8.25	2
23	AWS0410	Flex Hose, 60"	1

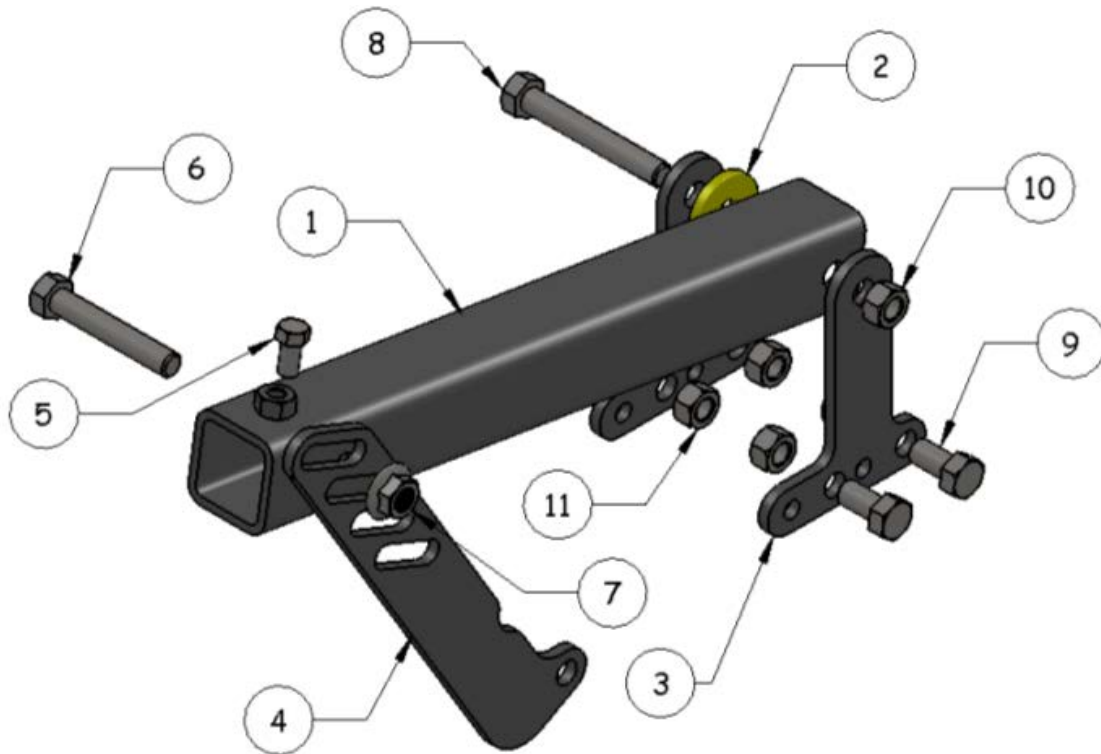
End Cap and Lock Sleeve



Item #	Part #	Description	Qty.
1	AWS0102	Manifold Arm	2
2	AWS0123	Saddle Clamp	2
3		Washer, 3/8	6
4		Bolt, 3/8ncX 5-1/2, gr8	2
5		Bolt, 3/8nc X 5, gr8	2
6	AWS0091	Elbow, 90	1
7	AWS0086	Hose Clamp, 8.75"	1
8	AWS0092	Lock Sleeve	1
9	AWS0512	Bushing, Shoulder	1
		Bolt, 3/8nc x 1	1
11		Locknut, 3/8nc	4
12	AWS0479	Spacer, End Cap	2
13		Bolt, 3/8nc x 3	1
14	AWS0810	End Cap Base	1
15		Flange Nut, 1/4nc	6
16	AWS0811	End Cap Arm	1
17	AWS0813	End Cap Plate, 6 bolt	1
18	AWS0103	Actuator Pivot	1
19		Bolt, 3/8nc x 5/8	2
20	AWS0546	Actuator, LS23	1
21	AWS0514	Actuator Bolt	2

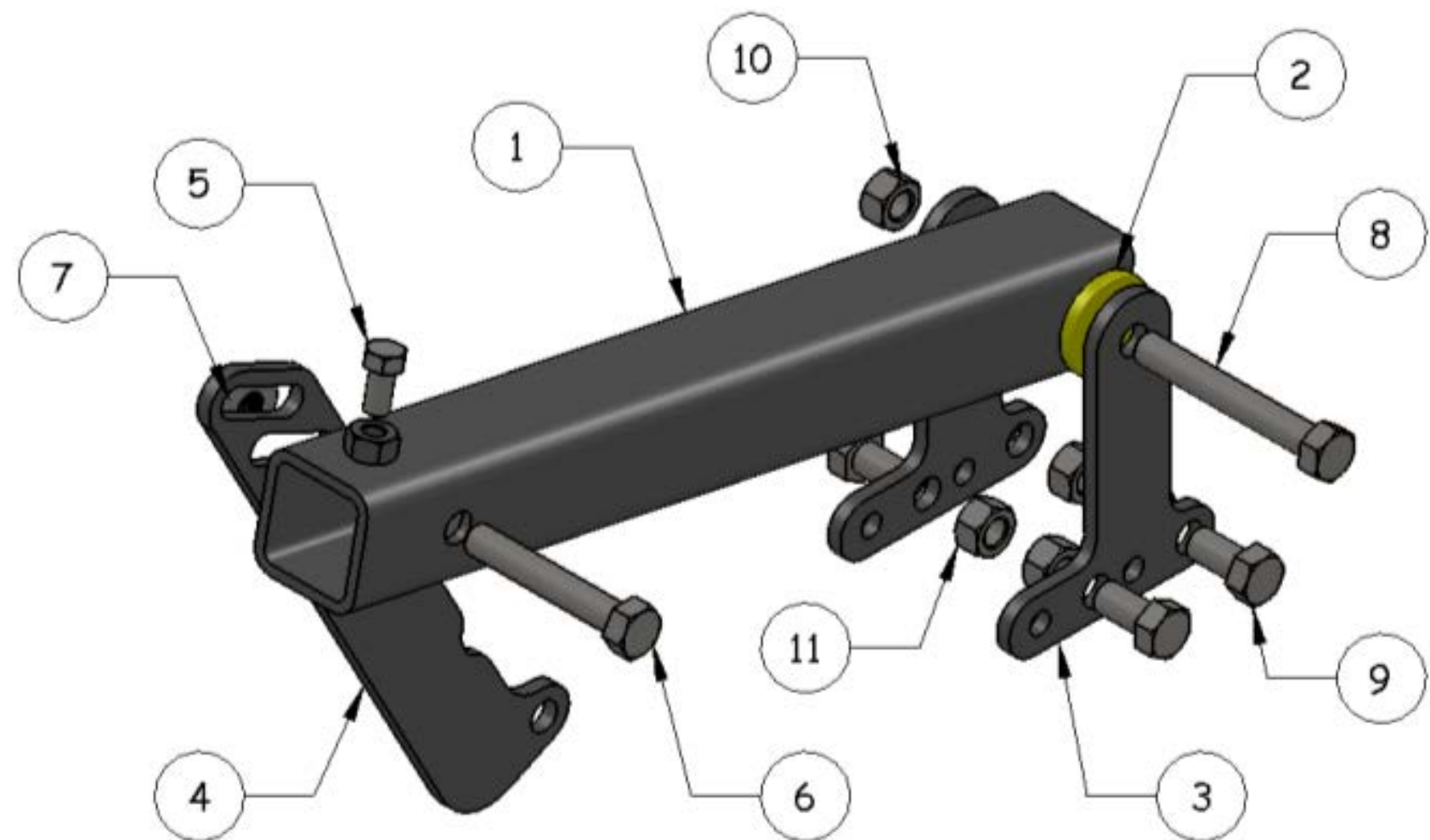
AWS0814 End Cap Assembly, w/ lever includes items 11,13,14,15,16,17 and replaces AWS0094 End Cap (-2015)

Right Mount Arm Assy. AWS0244



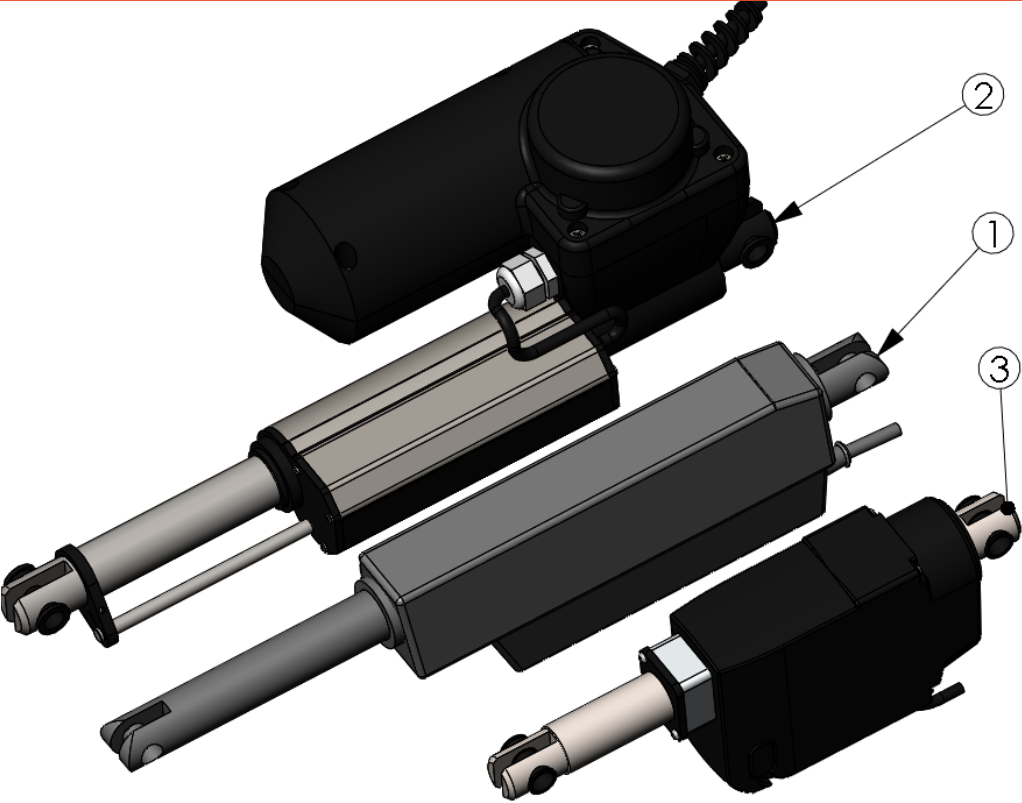
Item #	Part #	Description	Qty.
1	AWS0106	Case Mount Arm Tube	1
2	AWS0233	Washer, 1/2x 1-5/8 x 1/4	1
3	AWS0206	Case Mount Arm Tab	2
4	AWS0109	Adjusting Link, 11"	1
5		Bolt, 3/8" nc x 1"	2
6		Bolt, 1/2" x 3"	1
7		Flange Nut, 1/2"	1
8		Bolt, 1/2" x 3-1/2"	1
9		Bolt, 1/2" x 1" OR Bolt, 3/8" x 1" Depending on Reel Style	4
10		Top Lock Nut, 1/2"	1
11		Nut, 1/2" or 3/8"	4

Left Mount Arm Assy. AWS0243

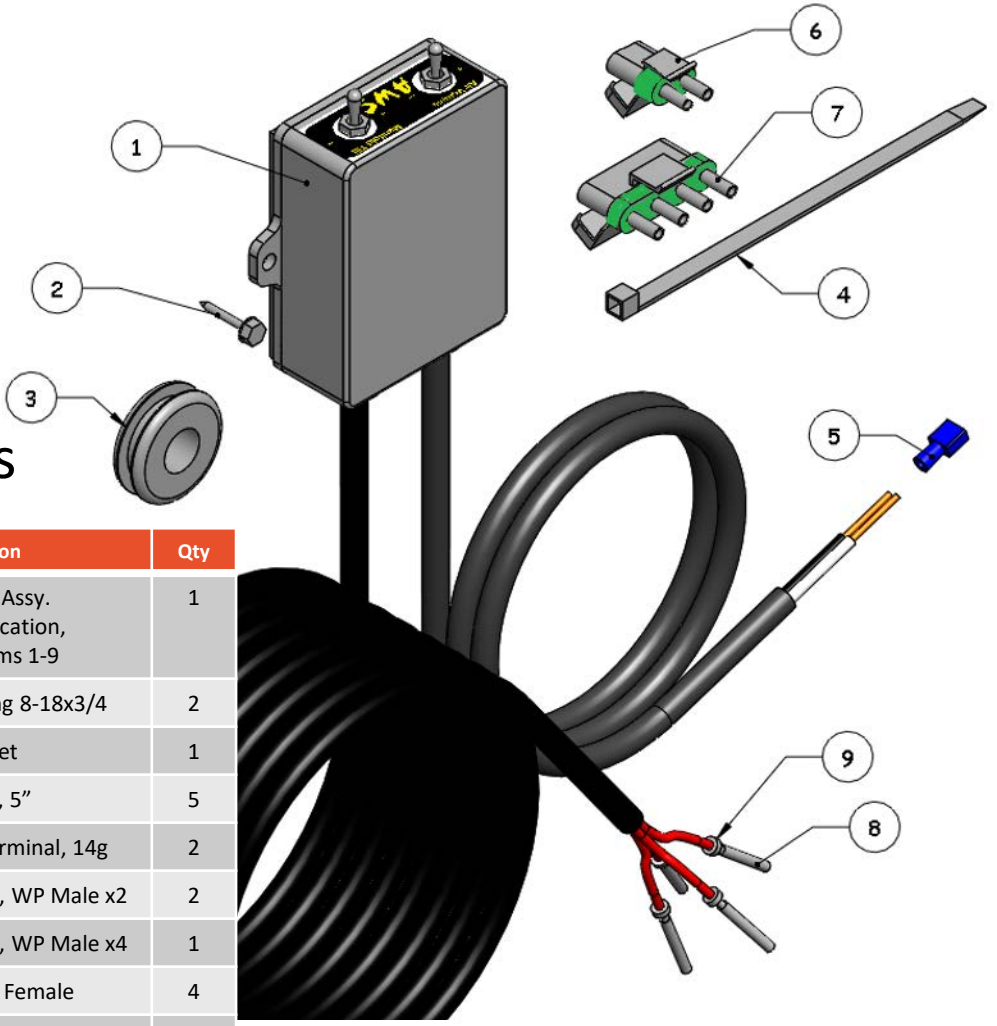


Actuators

Item #	Part #	Description	Qty
1	AWS0095	Actuator, Fan Control LA12	1
2	AWS0191	Actuator, Manifold Tilt LA30 Single Manifold -2014	1
3	AWS0546	Actuator, Manifold Tilt LA23 Single Manifold 2014-	1

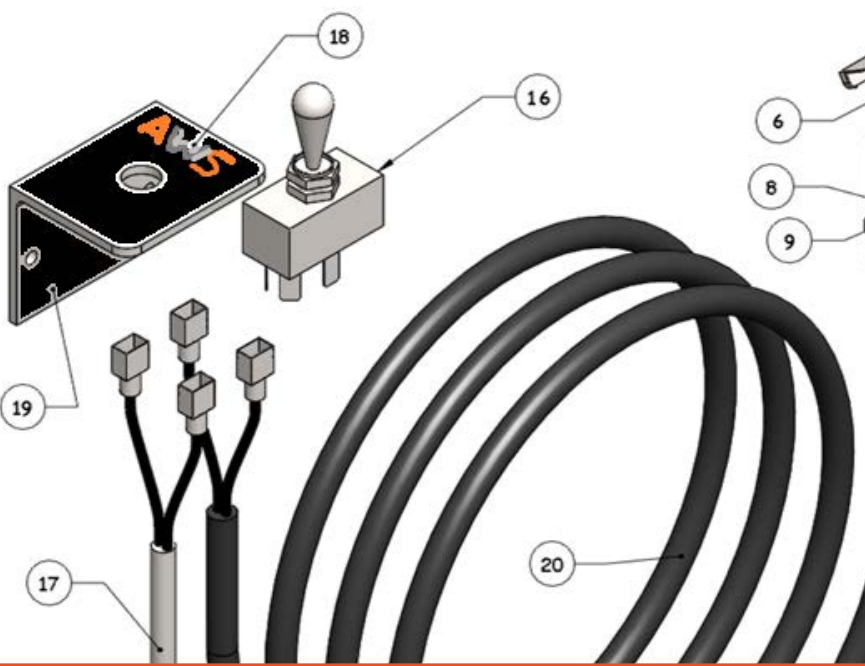


Dual Switch Controls



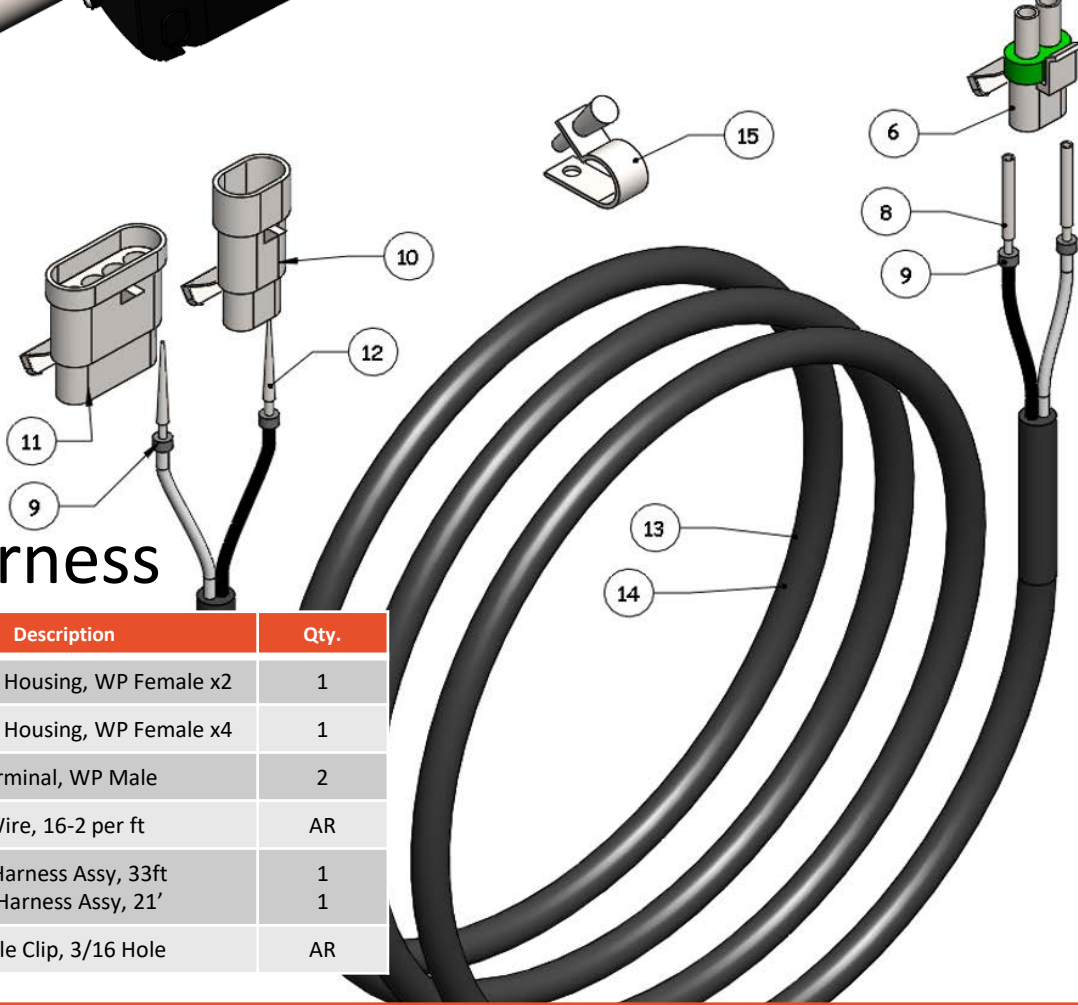
Item #	Part #	Description	Qty
1	AWS0422	Switch Box Assy. Specify Application, Includes Items 1-9	1
2	HDTHE2Z181812	Screw, Self Drilling 8-18x3/4	2
3	HNYGR51634116	Grommet	1
4	AWS0264	Cable Tie, 5"	5
5	AWS0402	Female Spade Terminal, 14g	2
6	AWS0098	Connector Housing, WP Male x2	2
7	AWS0320	Connector Housing, WP Male x4	1
8	AWS0348	Terminal, WP Female	4
9	AWS0349	Terminal Seal, WP Grey	4

Single Switch Controls



Item #	Part #	Description	Qty
16	AWS0385	Switch, DPDT Crossover	1
17		Power Lead, Specify Application	1
18	AWS0066	Decal, Switch Bracket	1
19	AWS0386	Switch Bracket	1
20	AWS0099	Combine Harness, Single	1

Header Harness



Item #	Part #	Description	Qty.
10	AWS0097	Connector Housing, WP Female x2	1
11	AWS0321	Connector Housing, WP Female x4	1
12	AWS0349	Terminal, WP Male	2
13	AWS0403	Wire, 16-2 per ft	AR
14	AWS0100 AWS0580	El. Harness Assy, 33ft El. Harness Assy, 21'	1 1
15	AWS0263	Cable Clip, 3/16 Hole	AR