

Parts Listing

Airbar® Parts List Deere 600FD/700FD/RD



more **yield**
from your **field**

with air-assist harvesting

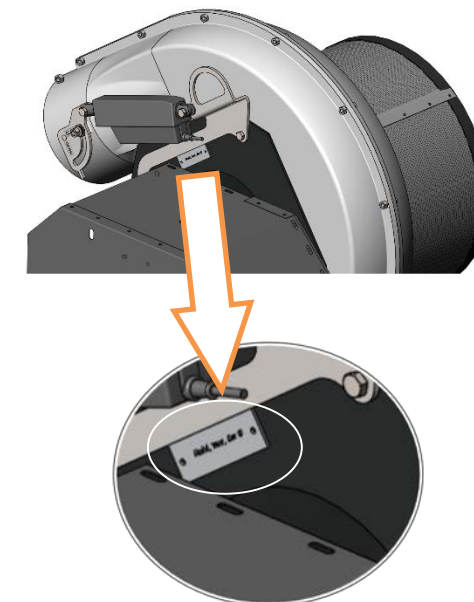
Parts Order Information

Parts Order Information:

To best fulfill your parts requirements, Gather the following information before contacting us:

- Header Make / Model
- AWS Fan SN (location shown in picture)

If you have any questions regarding the suitability of the parts you receive, please call the above number ASAP so that we can assist in ensuring the parts are correct and used properly.



Fan Serial Number Location

The serial number plate for the fan is located on the fan mounting plate, below the throttle actuator mounting bracket.

Drive Identification

AWS uses 3 different secondary belt drive ratios depending on combine model; parts in this book are referenced as "A", "B" or "C" Drive for simplification. There are 2 methods of identifying the drive ratio:

1. Via the serial number (Either the 4th or 6th digit of the SN will be A,B or C)
2. Via combine manufacturer:

A Drive - John Deere, Case IH (Max 550 rpm Input)

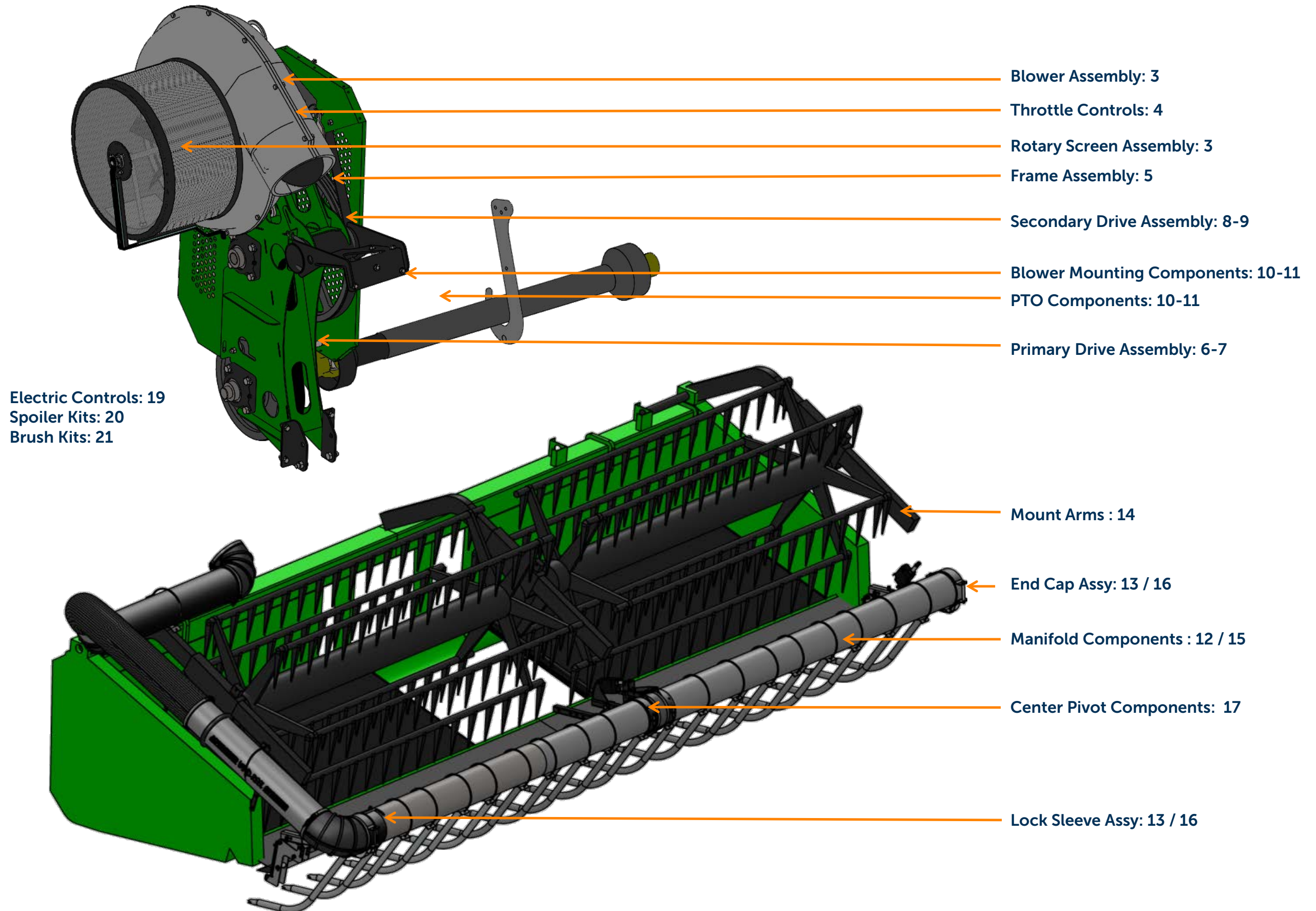
B Drive - Gleaner, New Holland, Cat (550-600 rpm Input)

C Drive - Claas (600-720 rpm Input)

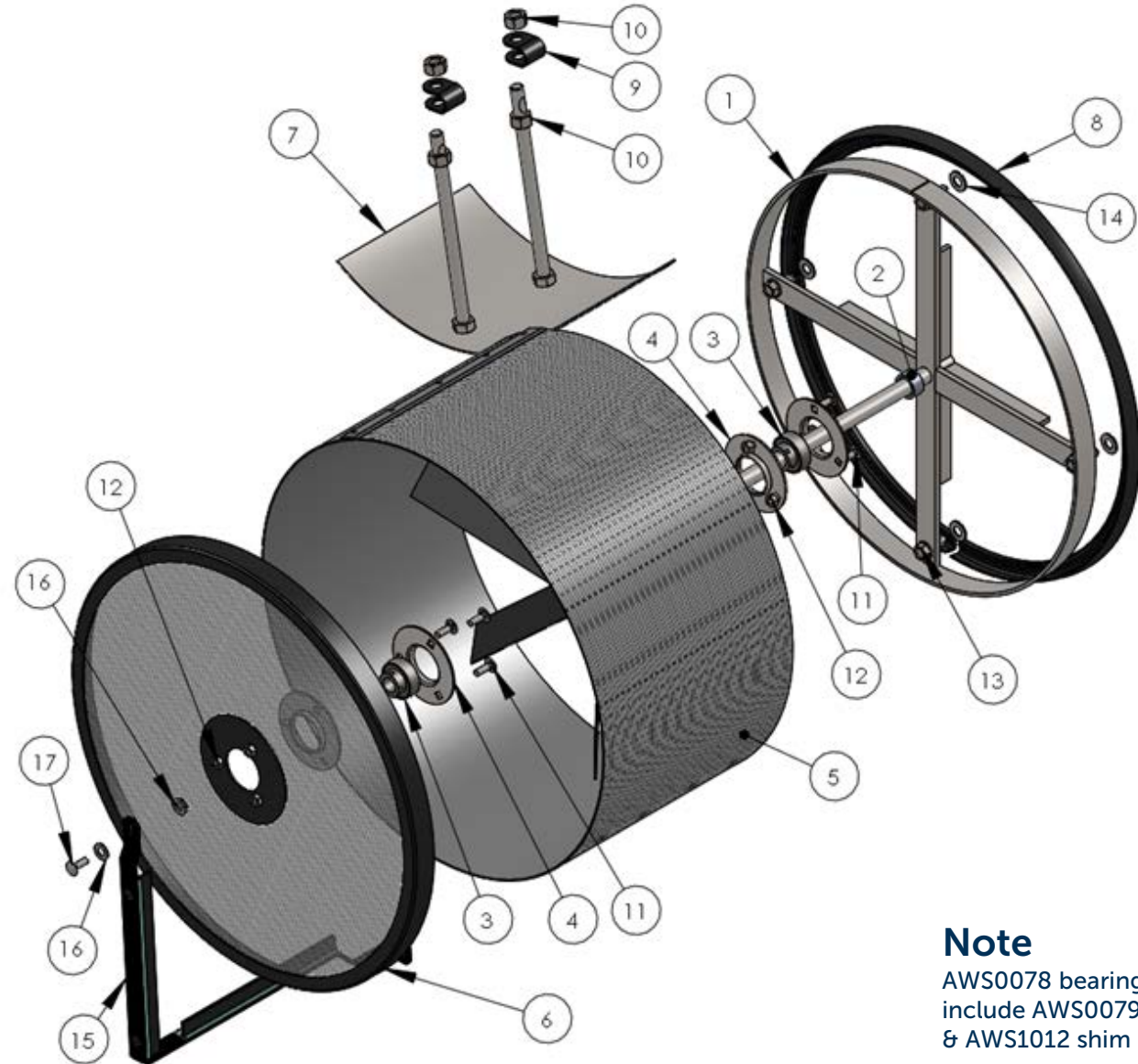
Terms and Conditions:

1. All goods are F.O.B Mitchell, Ontario, Canada or Minot, ND USA
2. All Parts include 30 day warranty of defects.
3. Please indicate preferred shipment method with order (due to our shipping volume it is typically most cost effective to have parts shipped out prepaid, with shipping costs shown on the parts invoice).
4. Returns accepted within 12 months of purchase, must be unused and are subject to a 10% handling fee. They must be shipped back to AWS prepaid with prior authorization.

Table of Contents



Rotary Screen Assembly

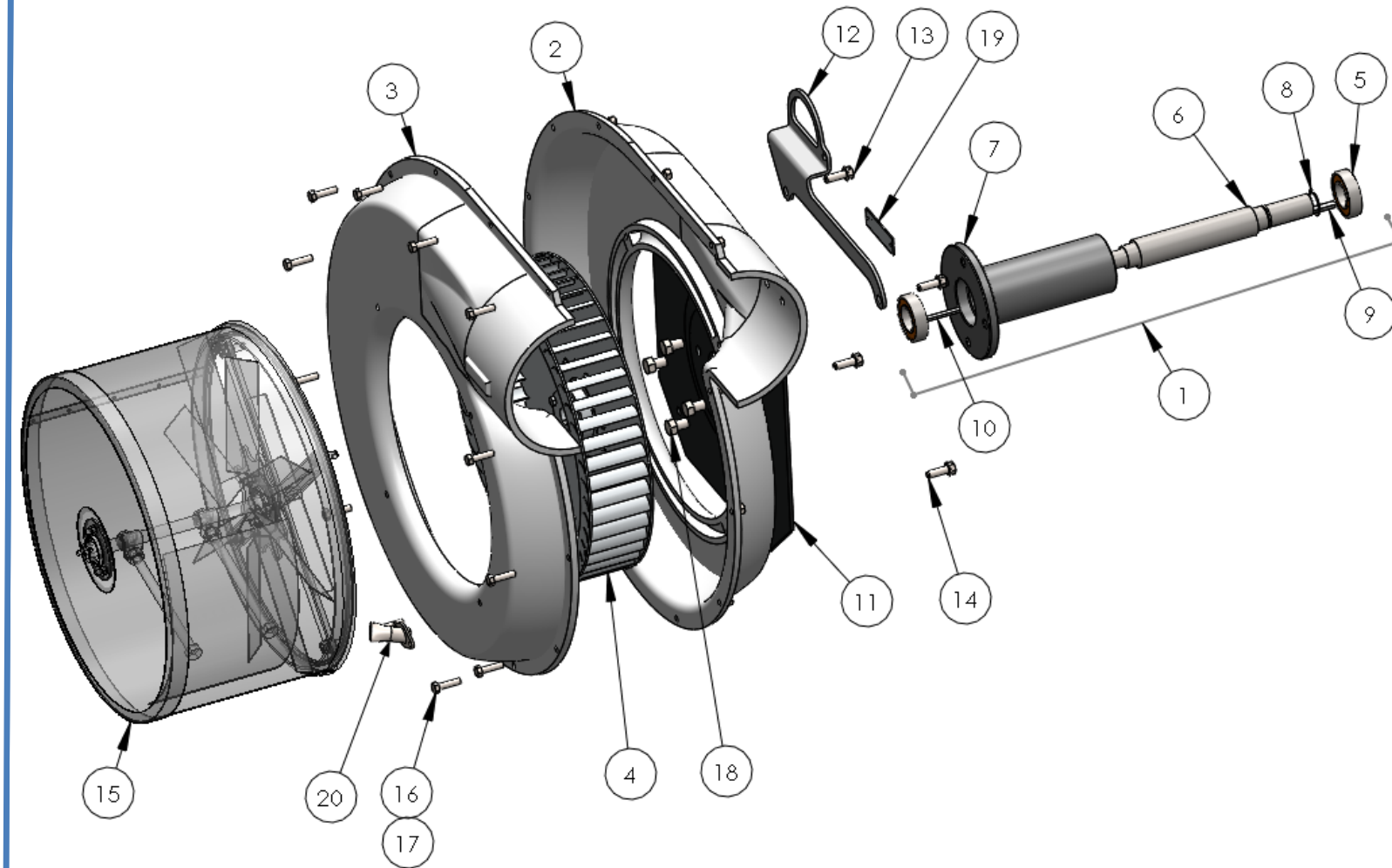


Note
AWS0078 bearings now include AWS0079 flanges & AWS1012 shim

Ref.	Part Number	Description	Qty.
1	AWS0076	Rotary Screen Support	1
2	AWS0228	Rotary Screen Spacer, 3/4 x 1/2	1
3	AWS0078	Bearing, Rotary Screen, AS202-101 (Includes 2x AWS0079 Flange & AWS1012 Shim)	2
4	AWS0079 AWS1012	Bearing Flange, PF203 Shim, PF203	4 1
5	AWS0077R	Rotary Screen, Right	1
6	AWS0080	Rotary Screen Cap	1
7	AWS0081	Clean Out Plate	1
8	AWS0088	Rotary Screen Seal	Opt

Ref.	Part Number	Description	Qty.
9	AWS0082	Clevis	2
10		1/2 nc Lock Nut	4
11		Bolt, 1/4nc x 3/4 Carriage	6
12		Nut, 1/4 nc Nylock	6
13		Bolt 3/8 nc x 1 Self Tapping	4
14		Washer, 3/8 Flat	4
15	AWS0083	Rotary Screen Brush Assy	1
16		Washer, 5/16 Flat	AR
17		1/4nc x3/4 Button Head Cap, SS	1
	AWS0230	Rotary Screen Assembly (Incl 1-14)	

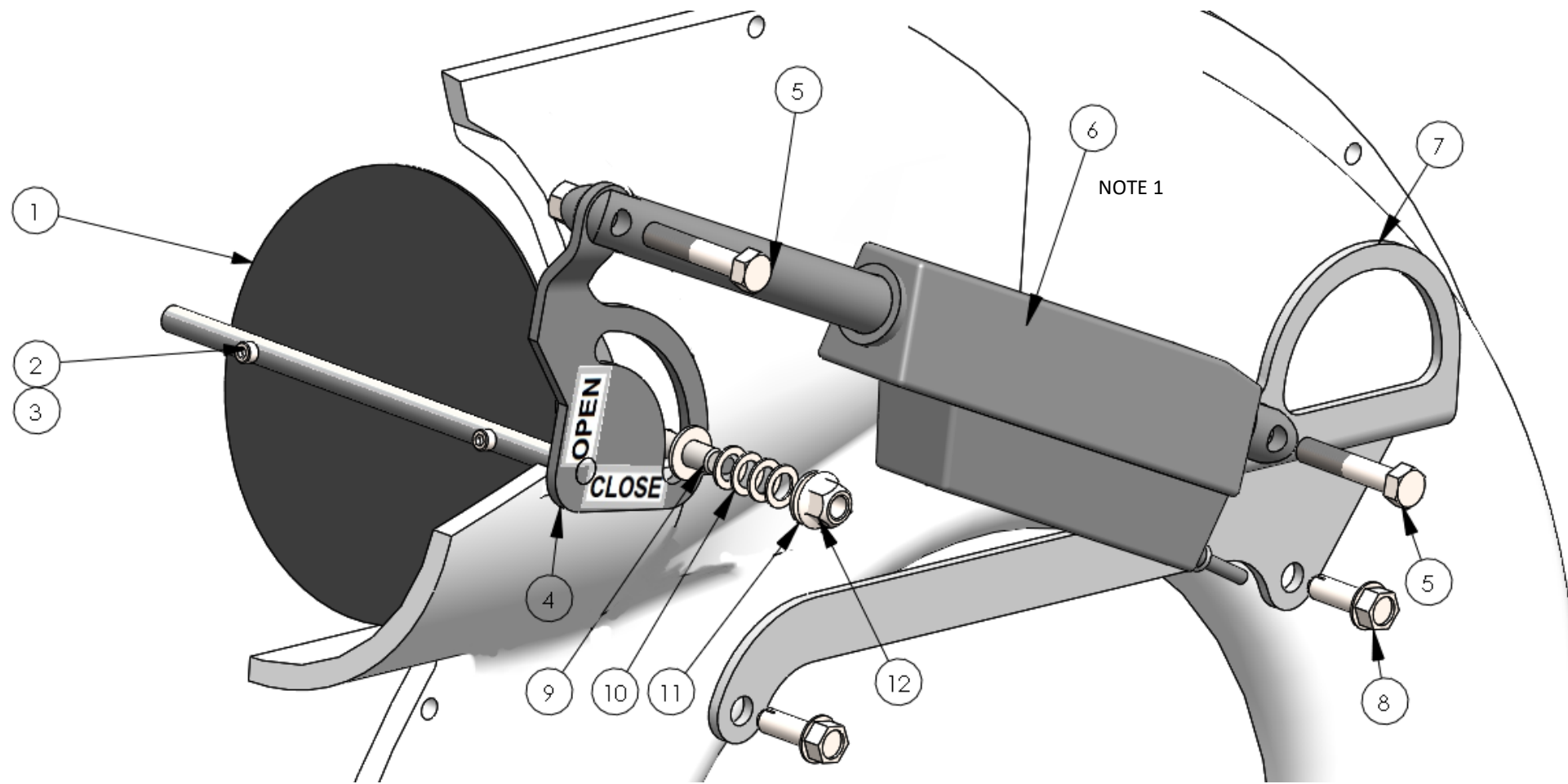
Blower Assembly



Ref.	Part Number	Description	Qty.
1	AWS0127	Fan Shaft Assembly (Incl. 5-8)	1
2	AWS0068	Fan Housing, LH	1
3	AWS0069	Fan Housing, RH	1
4	AWS0071 AWS0070	Impeller, Right Hand H7/8 Hub (Included with Impeller)	1 1
5	AWS0037	Bearing, Fan Shaft 6206-2RSC3	2
6	AWS0035	Fan Shaft, 14"	1
7	AWS0038	Fan Shaft Housing, 7.5"	1
8	AWS0036	Snap Ring, 1-1/8 EXT.	1
9	AWS0034	Key, 1/4X2	1
10	AWS0073	Key, 3/16X1-1/2	1

Ref.	Part Number	Description	Qty.
11	AWS0067	Fan Plate	1
12	AWS0203	Actuator Mount, See next page	1
13		Bolt, 3/8nc x 1-1/4	2
14		Bolt, 3/8nc x 1 Self Tapping	2
15	AWS0230R	Rotary Screen Assembly	1
16		Bolt, 5/16nc x 1-1/4	12
17		Nut, 5/16nc Nylock	12
18		Bolt, 1/2" nc x 3/4"	4
19	AWS0065	Serial Number Plate	1
20	AWS1038R	Rotary Screen Nozzle	1

Throttle Controls



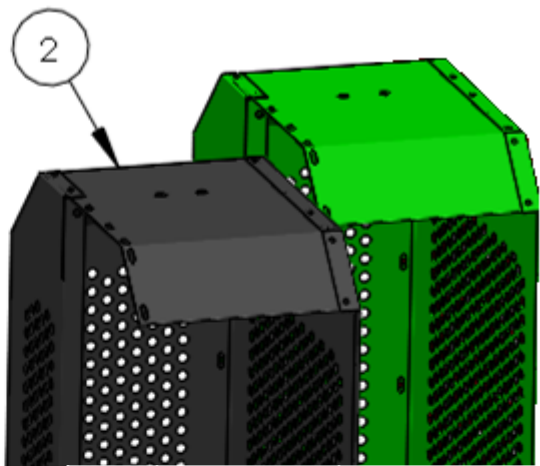
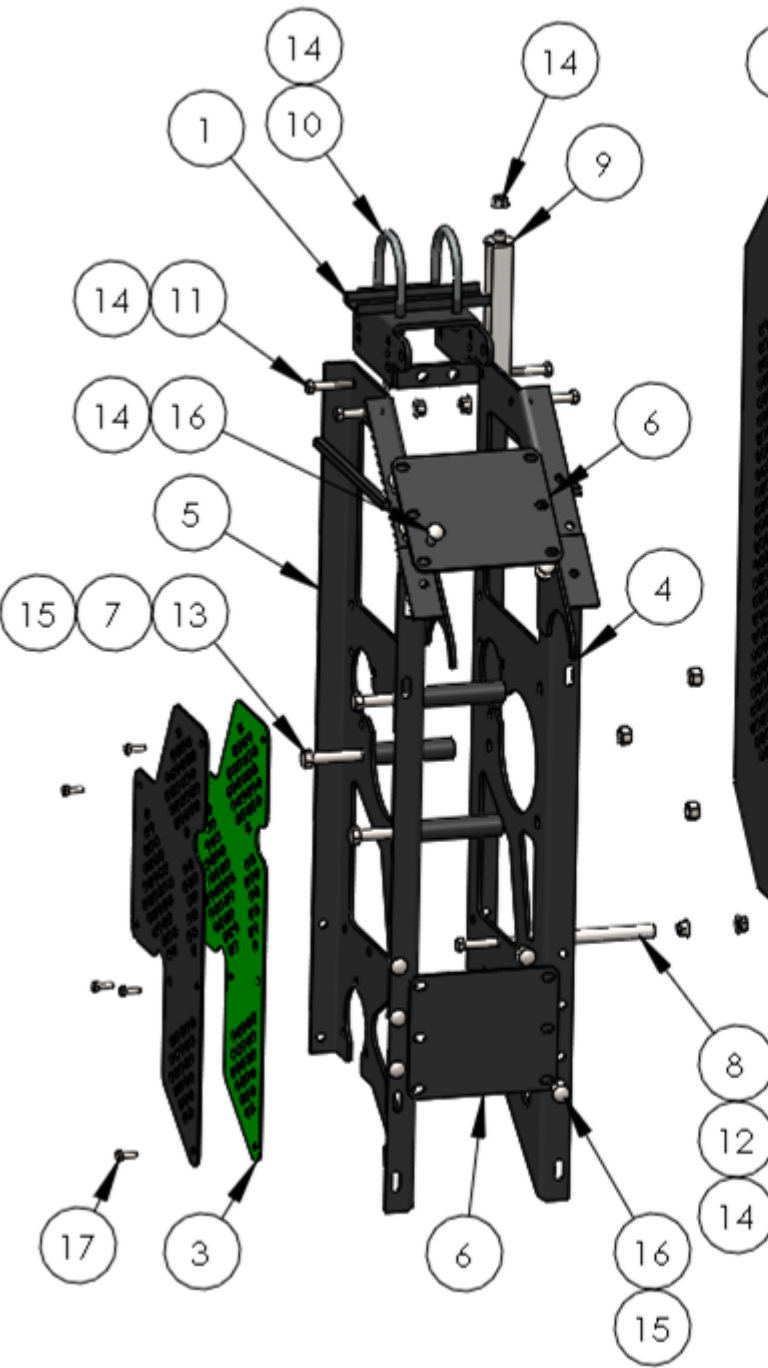
Item #	Part #	Description	Qty.
1	AWS0114	Throttle Plate	1
2	AWS0231	Bolt, 10-32 Socket Head Cap	2
3	AWS0232	Nut, 10-32 SS Nyloc	2
4	AWS0212	Throttle Shaft, RH Electric	1
5	AWS0514	Bolt, Actuator	2
6	AWS0095	Actuator, Throttle Control	1
7	AWS0203	Actuator Mount, RH	1
8		Bolt, 3/8ncX1-1/4	1
9	AWS0171	Stud, M10-1.50	1
10	AWS0170	Spring Washer	4
11		Washer, 3/8 Flat	3
12	AWS0172	Nut, M10-1.50Flange Nyloc	1

Note

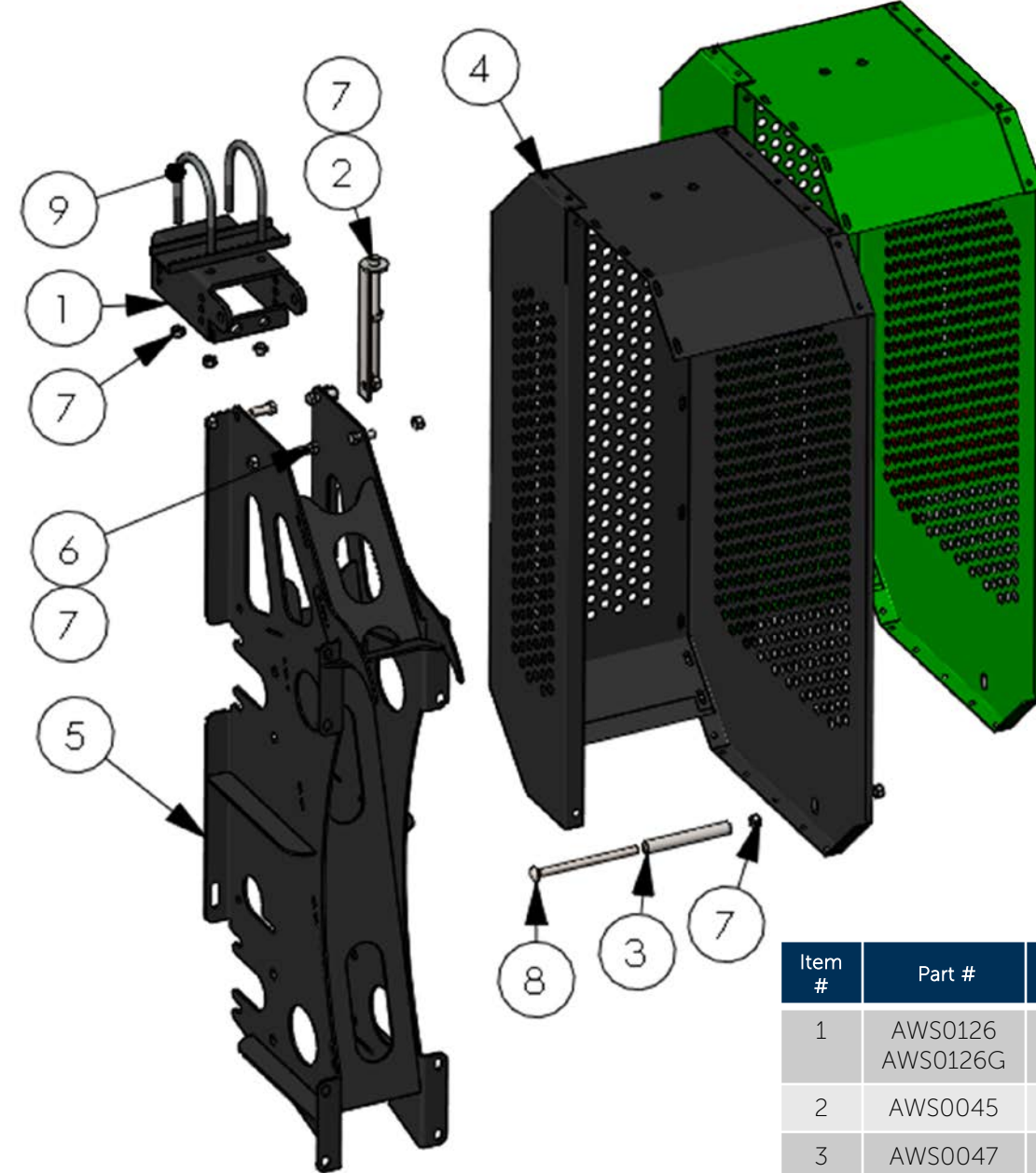
See Electrical Controls section near back of manual for additional information.

Frame Assembly to 2019

2020 & up Frame Assembly

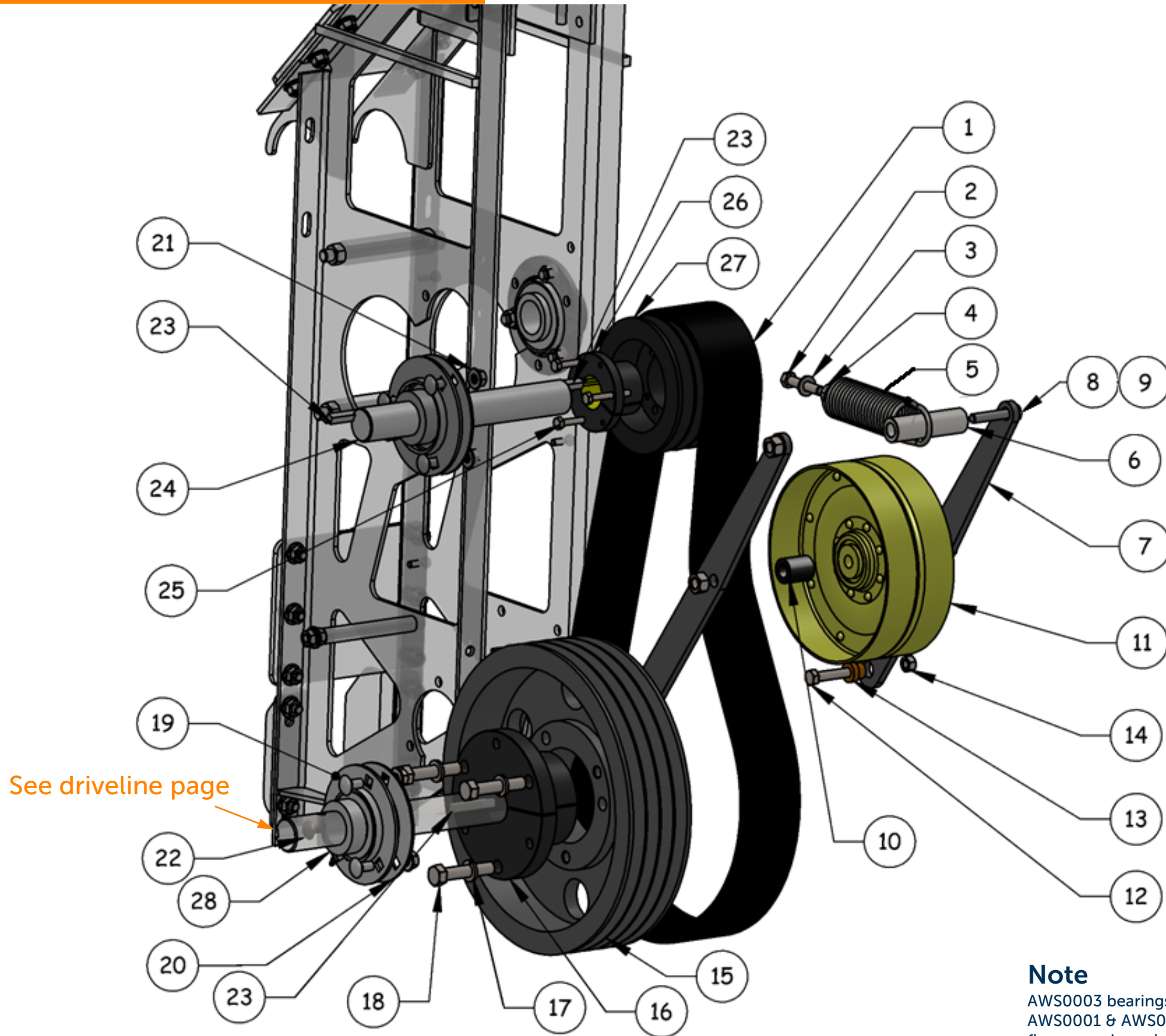


Item #	Part #	Description	Qty
1	AWS0126 AWS0126G	Top Bracket (Black) Top Bracket (Green)	1
2	AWS0184 AWS0184G	Shield Assembly , RH (Black) Shield Assembly , RH (Green)	1
3	AWS0593 AWS0593G	Shield, Series 2 (Black) Shield, Series 2 (Green)	1
4	AWS0618 AWS0618G	S 2 Frame Rail, Fan Side (Black) S 2 Frame Rail, Fan Side (Green)	1
5	AWS0619 AWS0619G	S 2 Frame Rail, Drive Side (Black) S 2 Frame Rail, Drive Side (Green)	1
6	AWS0620 AWS0620G	Frame Plate (Black) Frame Plate (Green)	2
7	AWS0042	Spacer, 1/2 x 4-1/4	3
8	AWS0047	Spacer, Lower Shield	1
9	AWS0045	Upper Shield Support	1
10	AWS0039	U-Bolt, 3/8nc x 3	2
11		Bolt, 3/8nc x 1	4
12		Bolt, 3/8nc x 5-1/2	1
13		Bolt, 1/2nc x 5-1/2	3
14		Nut, 3/8nc Serrated Flange	22
15		Nut, 1/2nc Stover Lock	3
16		Carriage Bolt, 3/8" x 3/4"	6
17		Bolt, 1/4" x 3/4"	5



Item #	Part #	Description	Qty
1	AWS0126 AWS0126G	Top Bracket (Black) Top Bracket (Green)	1
2	AWS0045	Upper Shield Support	1
3	AWS0047	Spacer, Lower Shield	1
4	AWS0184 AWS0184G	Shield Assembly , RH (Black) Shield Assembly , RH (Green)	1
5	AWS1019 AWS1019G	Chassis (Black) Chassis (Green)	1
6		Bolt, 3/8nc x 1	4
7		Nut, 3/8nc Serrated Flange	11
8		Bolt, 3/8nc x 5-1/2	1
9	AWS0039	U-Bolt, 3/8nc x 3	2
10		1/2 Flat Washer	1

Primary Drive Assembly to 2019 (3 Bolt Stamped Bearing Flanges)

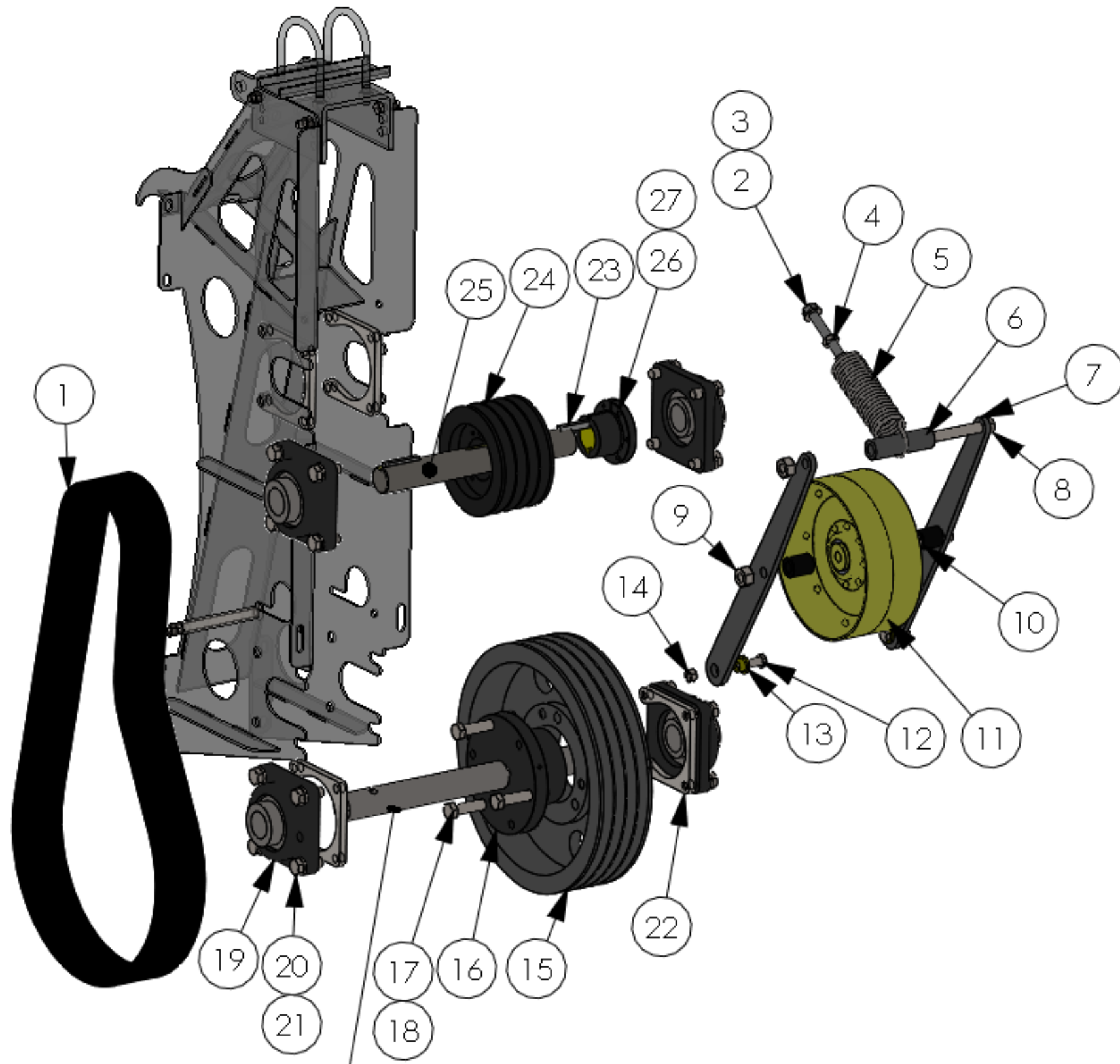


See driveline page

Note
 AWS0003 bearings include
 AWS0001 & AWS0420
 flanges and required
 hardware

Item #	Part #	Description	Qty.
1	AWS0020 AWS0220	Belt, 5VX-630-4 Belt, 5V-630-4BP Premium	1 Opt
2	AWS0015	Tap Bolt, 7/16nc X 5	1
3		Flat Washer, 7/16	1
4	AWS0016	Jam Nut, 7/16nc	1
5	AWS0014	Spring, Extension (Incl Items 2-4)	1
6	AWS0017	Spacer, 1/2X 3-1/2	1
7	AWS0013	Idler Arm, Primary	2
8		Bolt, 1/2ncX5	2
9		Nut, 1/2nc Stover Lock	2
10	AWS0018	Spacer, 1/2X1-3/16	2
11	AWS0012	Idler, HM Primary	1
12		Bolt, 3/8nc X 1 1/4	2
13	AWS0512	Bushing, Bronze	2
14		Nut, 3/8nc Stover Lock	2
15	AWS0211	Sheave, 5V-12.5-4	1
16	AWS0008	Bushing E 1-3/8	1
17		Lock Washer, 1/2 (w/16)	3
18		Tap Bolt, 1/2nc X 2-1/2 (w/16)	3
19	AWS0420	Bearing Flange, Greaseable	4
20	AWS0001	Bearing Flange, PF207	4
21		Nut, 3/8nc Flange	12
22		Bolt, 3/8ncX3/4 Carriage	12
23	AWS0011	Key, 5/16 x 2	3
24	AWS0021	Shaft, Secondary HM	1
25		Tap Bolt, 1/4nc X 2(w/26)	3
26	AWS0022	Bushing, SD 1-3/8	1
27	AWS0024	Sheave, 5V-5.50-4	1
28	AWS0003	Bearing, 1-3/8 w/ Collar (Includes AWS0003 & AWS0420 Flanges)	4

Primary Drive Assembly 2020 & up (4 Bolt Cast Bearing Flanges)

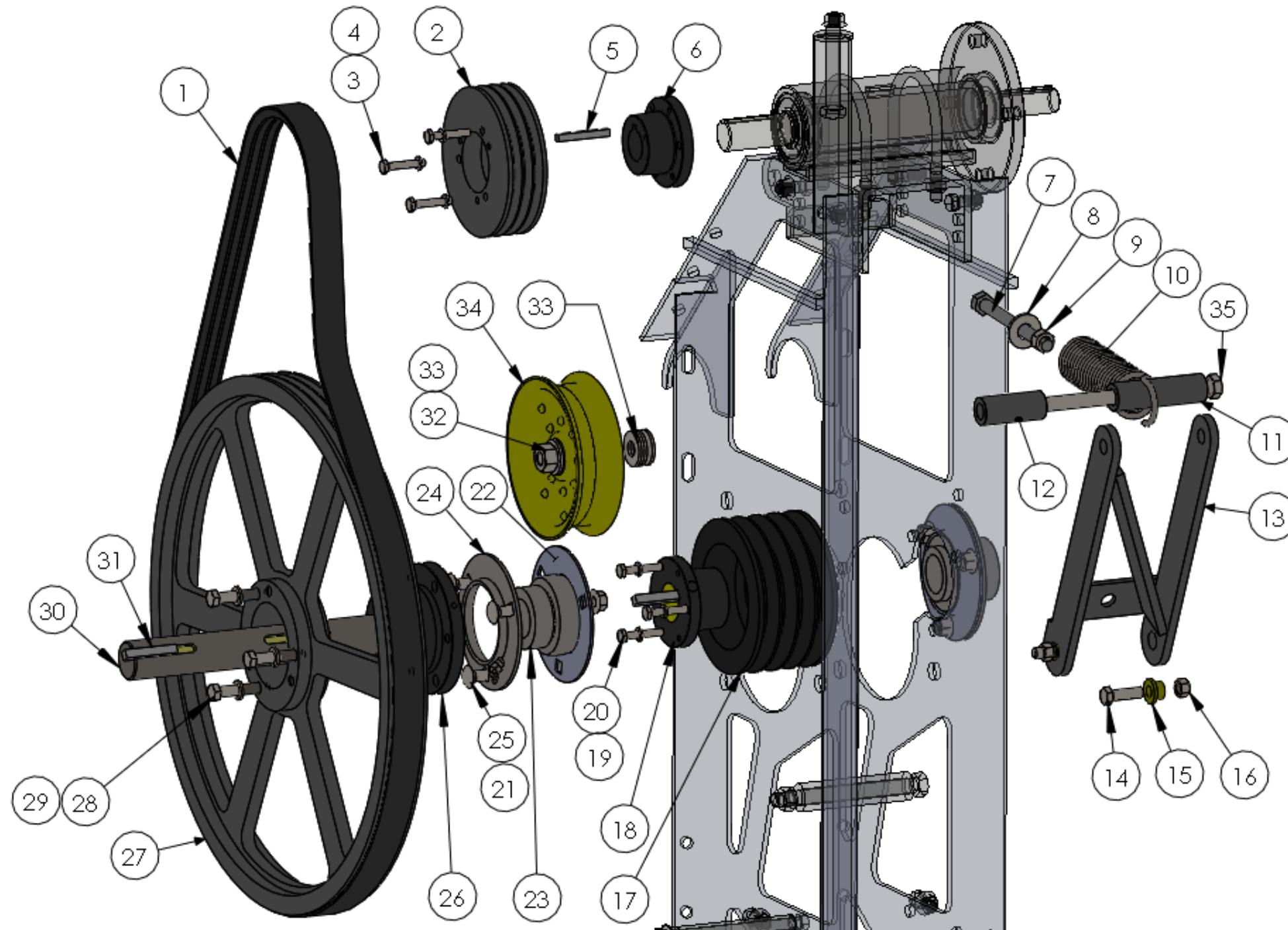


SEE DRIVELINE PAGE

Item #	Part #	Description	Qty.
1	AWS0020 AWS0220	Belt, 5VX-630-4 Belt, 5V-630-4BP Premium	1 Opt
2	AWS0015	Tap Bolt, 7/16nc X	1
3		Flat Washer, 7/16	1
4	AWS0016	Jam Nut, 7/16nc	1
5	AWS0014	Spring, Extension (Incl Items 2-4)	1
6	AWS0017	Spacer, 1/2X 3-1/2	1
7	AWS0013	Idler Arm, Primary	2
8		Bolt, 1/2ncX5	2
9		Nut, 1/2nc Stover Lock	2
10	AWS0018	Spacer, 1/2 X1-3/16	2
11	AWS0012	Idler, HM Primary	1
12		Bolt, 3/8nc X 1-1/4	2
13	AWS0512	Bushing, Bronze	2
14		Nut, 3/8nc Stover Lock	2
15	AWS0211	Sheave, 5V12.5-4	1
16	AWS0008	Bushing E 1-3/8	1
17		Lock Washer, 1/2 (w/16)	3
18		Tap Bolt, 1/2nc X 2-1/2 (w/16)	3
19	AWS1032	Bearing Unit – F207 1-3/8	4
20		Bolt, 1/2nc X 1-1/4	16
21		Lock Washer, 1/2	16
22	AWS1020	Nut Plate, 1/2nc	4
23	AWS0011	Key, 5/16 x 2	3
24	AWS0024	Sheave, 5V-5.50-4	1
25	AWS0021	Shaft, Secondary HM	1
26	AWS0022	Bushing, SD 1-3/8	1
27		Tap Bolt, 1/4nc X 2 (w/26)	3

Secondary Drive Assembly

to 2019 (3 Bolt Stamped Bearing Flanges)

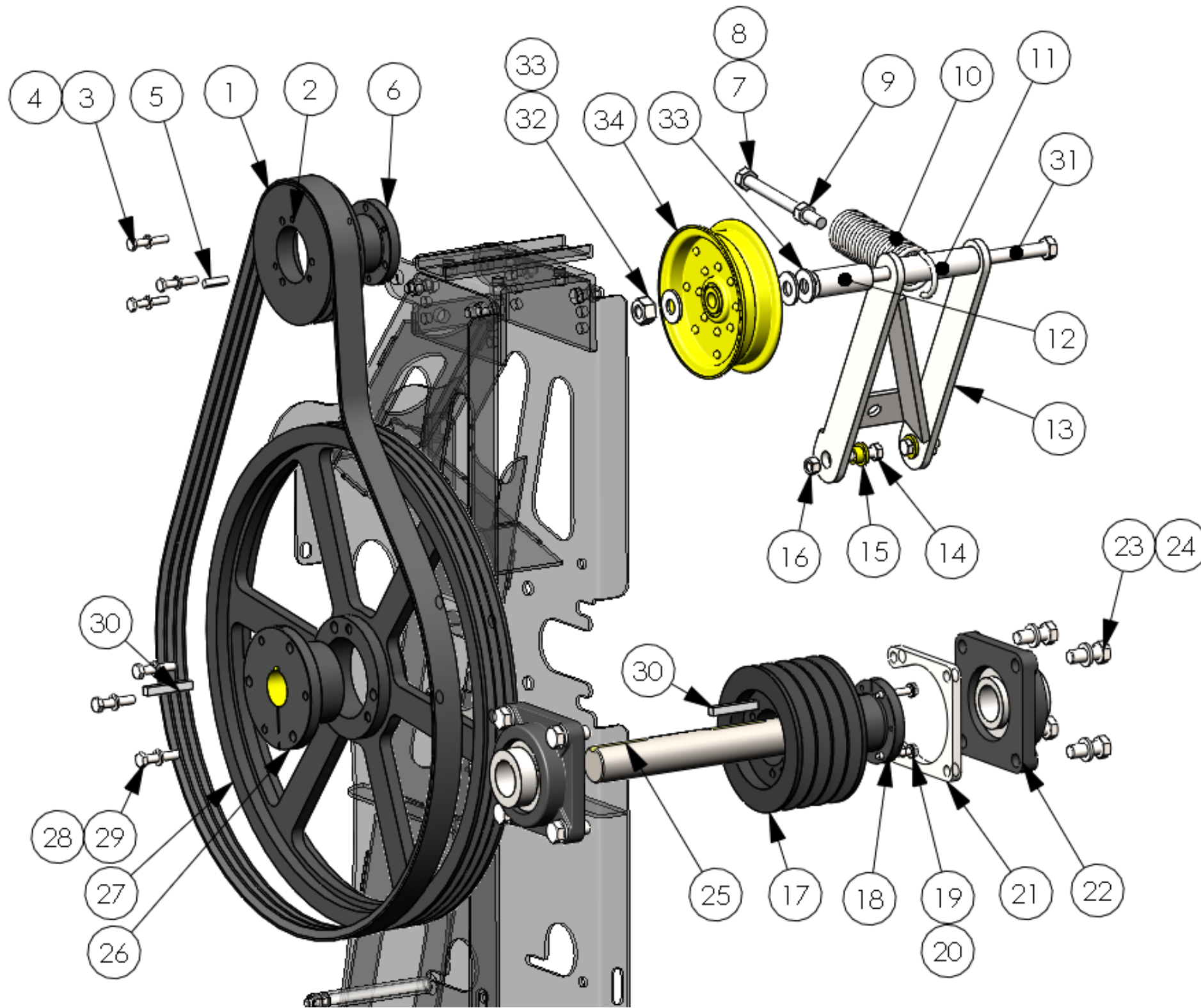


NOTE
 AWS0003 BEARINGS
 INCLUDE AWS0001 &
 AWS0420 FLANGES AND
 REQUIRED HARDWARE

Item #	Part #	Description	Qty.
1	AWS0025	Belt, 3VX-750-3	1
2	AWS0029	Sheave, 3V-5.30-3	1
3		Tap Bolt, 1/3nc X 1-1/2 (w/6)	3
4		Lock Washer 1/4 (w/6)	3
5	AWS0034	Key, 1/4X1-1/4	1
6	AWS0033	Bushing SDS 1-1/8	1
7	AWS0015	Tap Bolt, 7/16nc X 5	1
8		Flat Washer, 7/16	1
9	AWS0016	Jam Nut, 7/16	1
10	AWS0014	Spring, Extension (Incl. Items 7-9)	1
11	AWS0017	Spacer, 1/2X 3-1/2	1
12	AWS0112	Spacer, 1/2X 2-3/8	1
13	AWS0113	Idler Arm	1
14		Bolt, 3/8nc X 1-1/4	2
15	AWS0512	Bushing, Bronze	2
16		Nut, 3/8nc Stover Lock	2
17	AWS0024	Sheave, 5V-5.50-4	1
18	AWS0022	Bushing, SD 1-3/8	1
19		Lock Washer 1/4 (w/18)	3
20		Tap Bolt, 1/4nc X 2 (w/18)	3
21		Nut, 3/8nc Flange	6
22	AWS0001	Bearing Flange, PF207	2
23	AWS0003	Bearing, 1-3/8 Wide Race w/ Collar (Includes Flanges)	2
24	AWS0420	Bearing Flange, Greasable	2
25		Bolt, 3/8nc X3/4 Carriage	6
26	AWS0032	Bushing, SF 1-3/8	1
27	AWS0026	Sheave, 3V-19.0-3	1
28		Tap Bolt, 3/8nc X 2-1/2 (w/26)	3
29		Lock Washer, 3/8 (w/26)	3
30	AWS0021	Shaft, Secondary	1
31	AWS0011	Key, 5/16X2	2
32		Nut, 1/2nc Stover Lock	1
33		Flat Washer, 1/2	A/R
34	AWS0111	Idler, 5"	1
35		Bolt, 1/2 nc x 8-1/2	

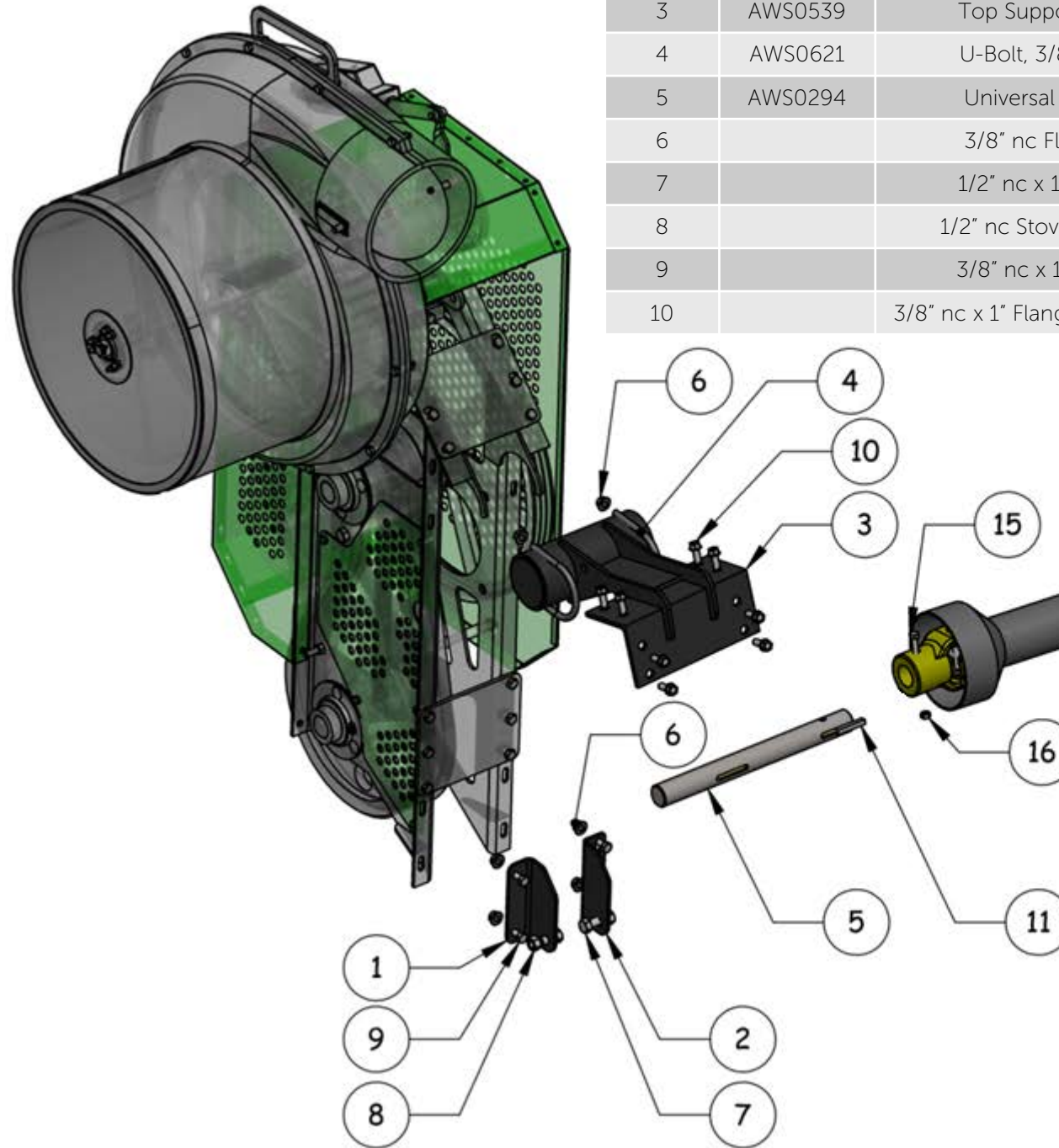
Secondary Drive Assembly

2020 & up (4 Bolt Cast Bearing Flanges)



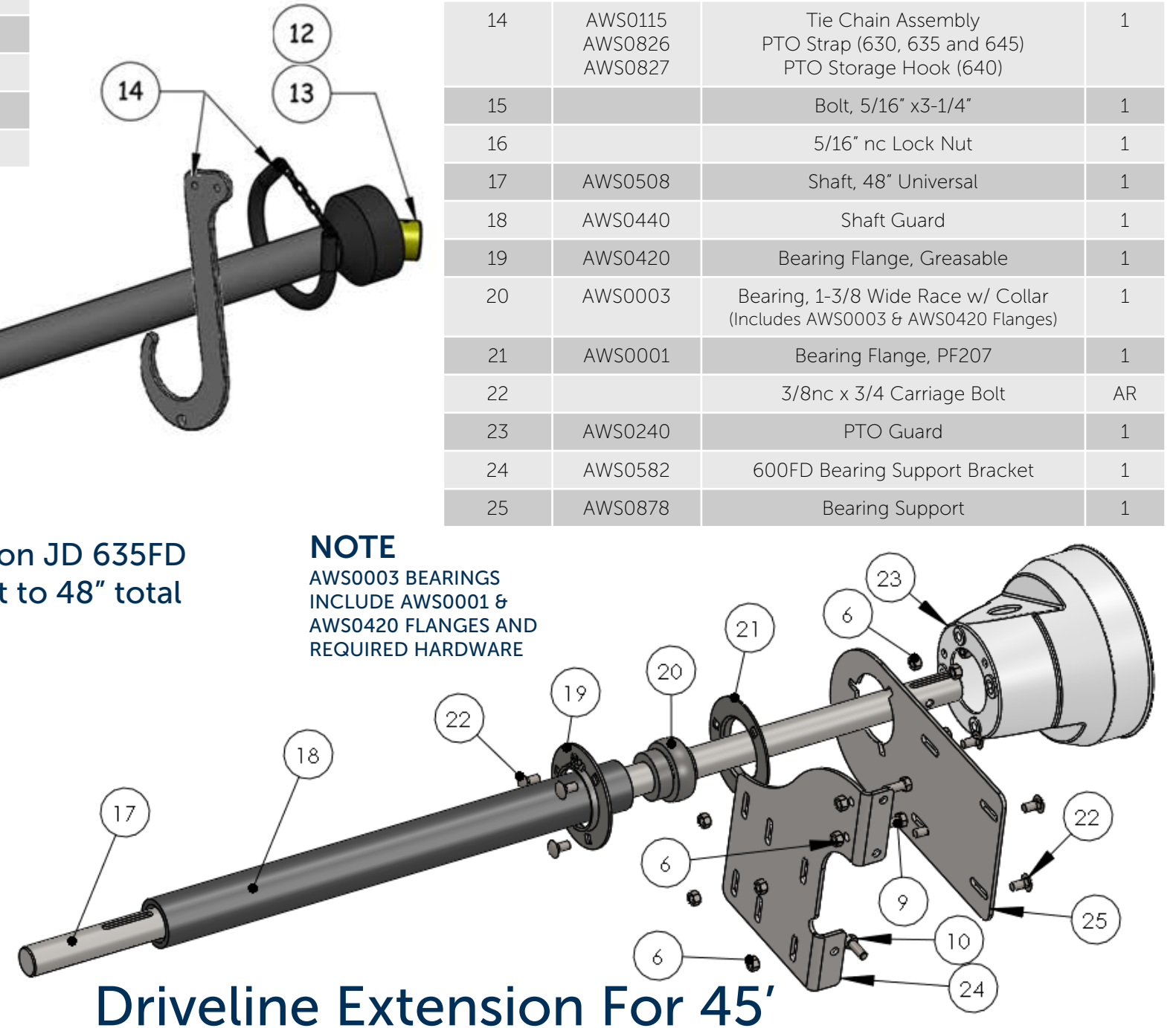
Item #	Part #	Description	Qty.
1	AWS0025	Belt, 3VX-750-3	1
2	AWS0029	Sheave, 3V-5.30-3	1
3		TapBolt, 1/4nc X 1-1/2 (w/6)	3
4		Lock Washer 1/4 (w/6)	3
5	AWS0034	Key, 1/4X1-1/4	1
6	AWS0033	Bushing SDS 1-1/8	1
7	AWS0015	Tap Bolt, 7/16nc X 5	1
8		Flat Washer, 7/16	1
9	AWS0016	Jam Nut, 7/16	1
10	AWS0014	Spring, Extension (Incl. Items 7-9)	1
11	AWS0017	Spacer, 1/2X 3-1/2	1
12	AWS0112	Spacer, 1/2X 2-3/8	1
13	AWS0113	Idler Arm	1
14		Bolt, 3/8nc X 1-1/4	2
15	AWS0512	Bushing, Bronze	2
16		Nut, 3/8nc Stover Lock	2
17	AWS0024	Sheave, 5V-5.50-4	1
18	AWS0022	Bushing, SD 1-3/8	1
19		Lock Washer 1/4 (w/18)	3
20		Tap Bolt, 1/4nc X 2 (w/18)	3
21	AWS1020	Nut Plate	2
22	AWS1032	Bearing Unit, F207 1 3/8" Cast	2
23		Bolt 1/2nc x 1-1/4	8
24		Lock Washer, 1/2	8
25	AWS0021	Shaft, Secondary	1
26	AWS0032	Bushing, SF 1-3/8	1
27	AWS0026	Sheave, 3Vx19.0-3	1
28		Bolt, 3/8ncX2-1/2 (w/26)	3
29		Lock Washer, 3/8 (w/26)	3
30	AWS0011	Key, 5/16X2	2
31		Bolt, 1/2 nc x 8-1/2	
32		Nut, 1/2nc Stover Lock	1
33		Flat Washer, 1/2	A/R
34	AWS0111	Idler, 5"	1

Item #	Part #	Description	Qty.
1	AWS0541	Lower Frame Support B, Right	1
2	AWS0540	Lower Frame Support B, Left	1
3	AWS0539	Top Support 600FD	1
4	AWS0621	U-Bolt, 3/8" x 3-1/2"	2
5	AWS0294	Universal Shaft, 14"	1
6		3/8" nc Flange Nut	6
7		1/2" nc x 1" Hex Bolt	2
8		1/2" nc Stover Lock Nut	2
9		3/8" nc x 1" Hex Bolt	4
10		3/8" nc x 1" Flanged Hex Self Tap	8



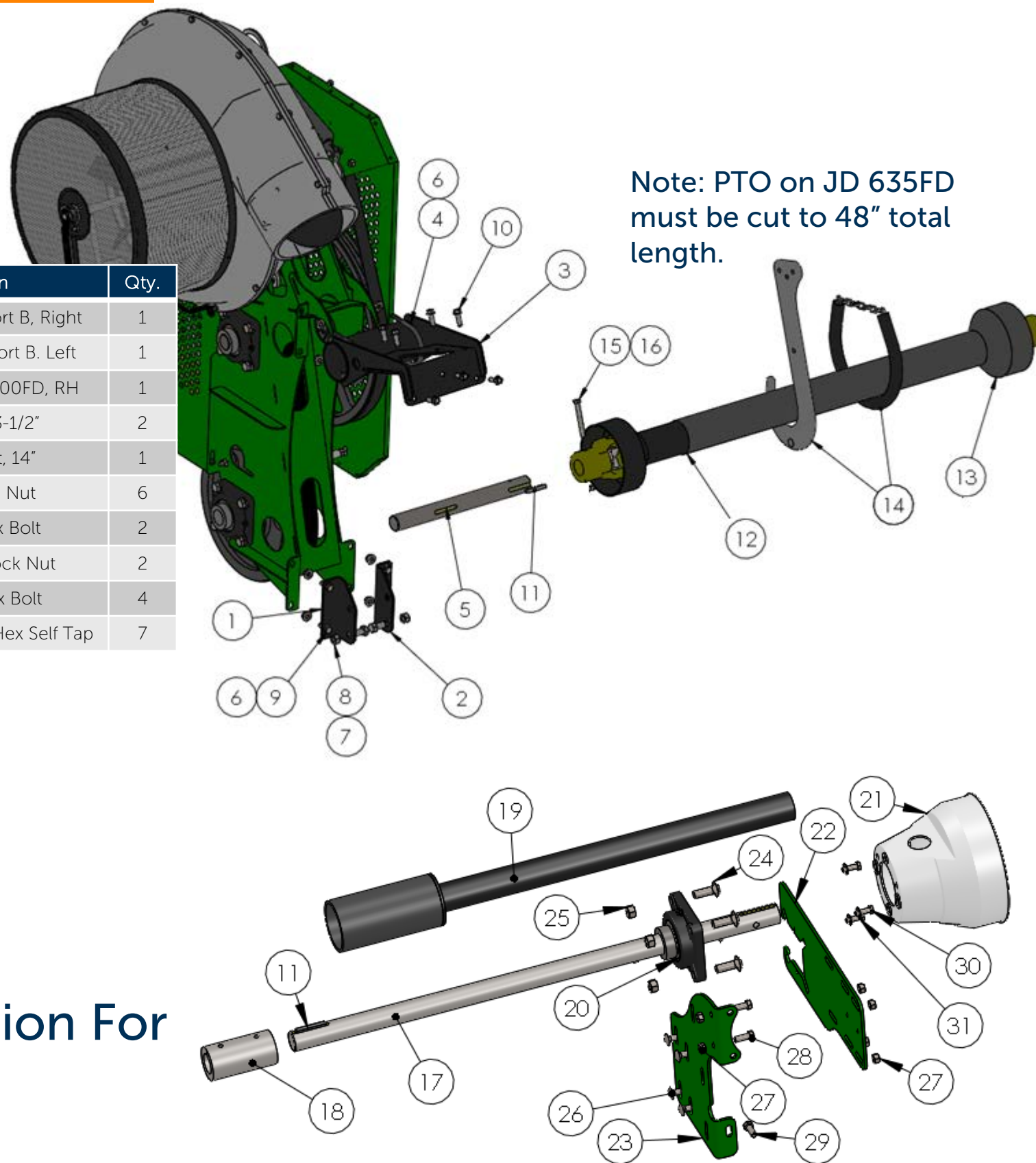
Note: PTO on JD 635FD must be cut to 48" total length.

Item #	Part #	Description	Qty.
11	AWS0011	Key, 5/16" x 2"	1
12	AWS0451 AWS0453 AWS0454 AWS0455	PTO Components Replacement Yoke, 21spl Quick Release Replacement Yoke, 1-3/8 Round W/Bolt PTO Cross & Bearing Kit Shield Kit	AR
13	AWS0457	PTO Shaft Assy. 21sp -1-3/8rb W pin	1
14	AWS0115 AWS0826 AWS0827	Tie Chain Assembly PTO Strap (630, 635 and 645) PTO Storage Hook (640)	1
15		Bolt, 5/16" x3-1/4"	1
16		5/16" nc Lock Nut	1
17	AWS0508	Shaft, 48" Universal	1
18	AWS0440	Shaft Guard	1
19	AWS0420	Bearing Flange, Greasable	1
20	AWS0003	Bearing, 1-3/8 Wide Race w/ Collar (Includes AWS0003 & AWS0420 Flanges)	1
21	AWS0001	Bearing Flange, PF207	1
22		3/8nc x 3/4 Carriage Bolt	AR
23	AWS0240	PTO Guard	1
24	AWS0582	600FD Bearing Support Bracket	1
25	AWS0878	Bearing Support	1



NOTE
AWS0003 BEARINGS
INCLUDE AWS0001 &
AWS0420 FLANGES AND
REQUIRED HARDWARE

Driveline Extension For 45'

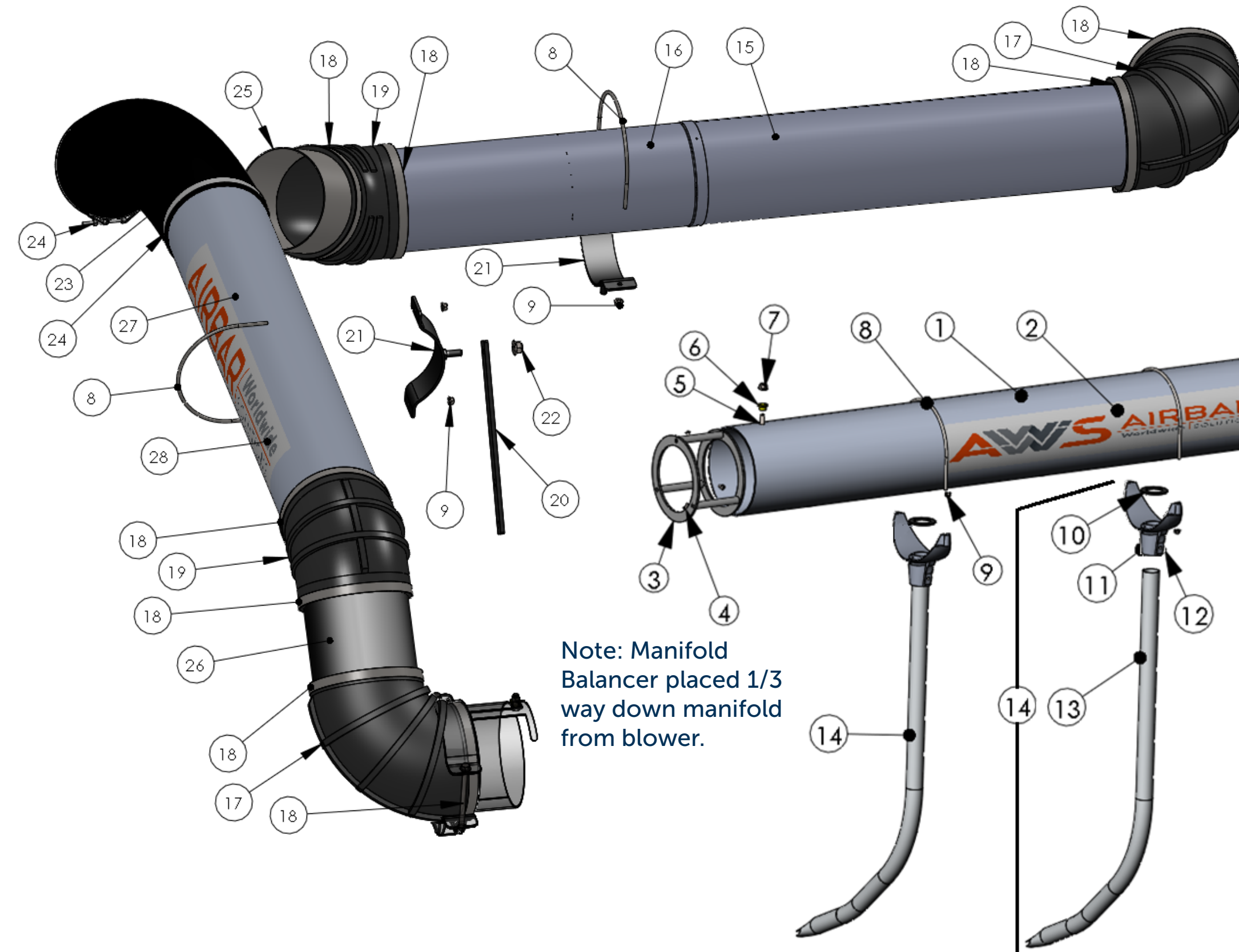


Note: PTO on JD 635FD must be cut to 48" total length.

Item #	Part #	Description	Qty.
11	AWS0011	Key, 5/16" x 2"	1
12	AWS0457	PTO Shaft Assy. 21sp -1-3/8rb W pin	1
13	AWS0451 AWS0453 AWS0454 AWS0455	PTO COMPONENTS Yoke, 21spl Quick Release Yoke, 1-3/8 Round W/Bolt PTO Cross & Bearing Kit Shield Kit	1
14	AWS0115 AWS0826 AWS0827	Tie Chain Assembly PTO Strap (630, 635 and 645) PTO Storage Hook (640)	1
15		Bolt, 5/16" x3-1/4"	1
16		5/16" nc Lock Nut	1
17	AWS0788	Shaft, 34" Extension	1
18	AWS0780	Shaft Coupler 1-3/8"	1
19	AWS0789	Coupler Shaft Guard	1
20	AWS1032	Bearing Unit – F207 – 1-3/8	1
21	AWS0240	PTO Guard	1
22	AWS0878	Bearing Support	1
23	AWS0582	600FD Bearing Support Bracket	1
24		Bolt 1/2ncX1-1/2 Carriage	4
25		Nut, 1/2nc Serrated Flange	4
26		Bolt, 3/8ncX3/4 Carriage	4
27		Nut, 3/8nc Serrated Flange	6
28		Botl, 3/8ncX1	2
29	HTCHWZI3816 1	Bolt, 3/8nc X 1 Self Tapping	1
30		Bolt, 5/16 x 1	3
31		Washer, 5/16	3

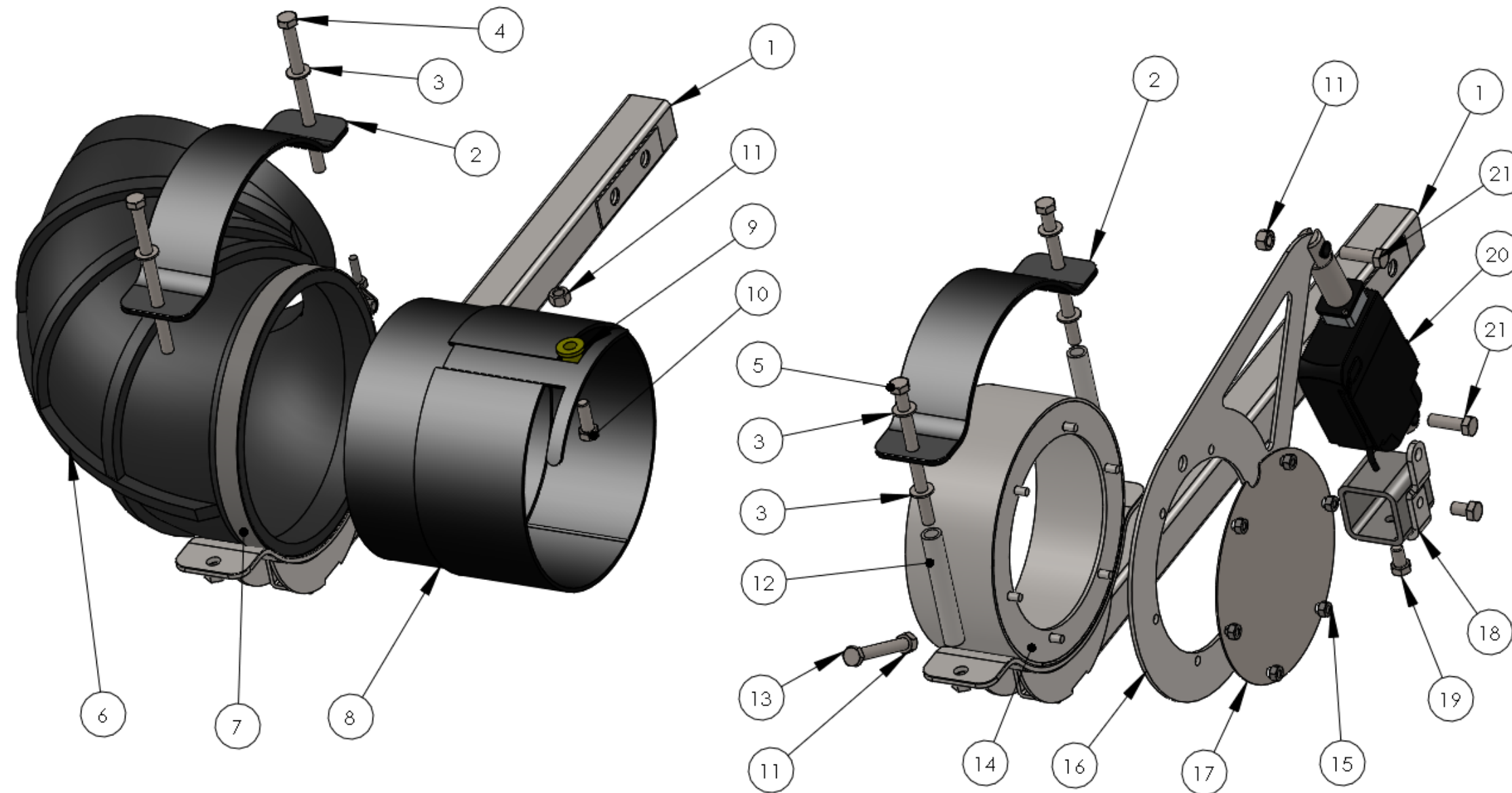
Driveline Extension For 45'

Manifold Components (30 & 35ft)



Item #	Part #	Description	Qty.
1	CALL AWS	Replacement Manifold (Includes Items 2 (Decal) & 3 (Balancer))	AR
2	AWS0781	Decal, Logo 48x8	1
3	AWS0202	Manifold Balancer	1
4		Pop Rivet 3/16 x 1/4	3
5		3/8nc x 1 Bolt	1
6	AWS0512	Flange Bushing	1
7		3/8 nc nyloc nut	1
8	AWS0163	U-Bolt 1/4nc x 8" S.S	AR
9		1/4nc Nyloc Nut	AR
10	AWS0116	Nozzle Gasket	AR
11	AWS0760	Nozzle Saddle, Cast w/ Set Screws	AR
12		Set Screw m8x10 S.S.	2
13	AWS0766	Nozzle Tube, 48" Double Bend	AR
14	AWS0769	Nozzle, 48" Double Bend (Incl. Items 10-13)	AR
15	AWS0763	Rear Tube 45"	1
16	AWS0764	Rear Tube Extension 30"	AR
17	AWS0091	Elbow 90 x 8"	2
18	AWS0086	Hose Clamp 8.75"	8
19	AWS0441	Elbow 45 x 8"	2
20	AWS0090	Transition Tube Support	1
21	AWS0153	Saddle, With Stud	2
22		1/2nc Lock Nut	AR
23	AWS0410	Flex Hose, 60"	1
24	AWS0085	Hose Clamp. 8.25	2
25	AWS0160	Connector Pipe 6"	1
26	AWS0481	Connector Pipe 8" Black	1
27	AWS0087	Transition Tube (Incl. Item 28)	1
28	AWS0782	Decal, Logo 24x4	1

End Cap and Lock Sleeve (30 & 35ft)



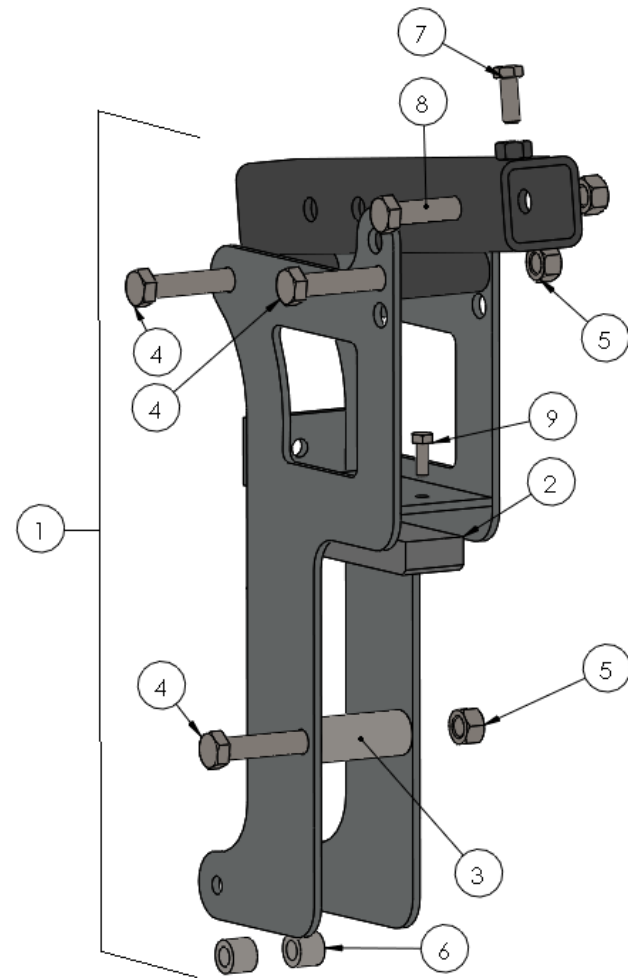
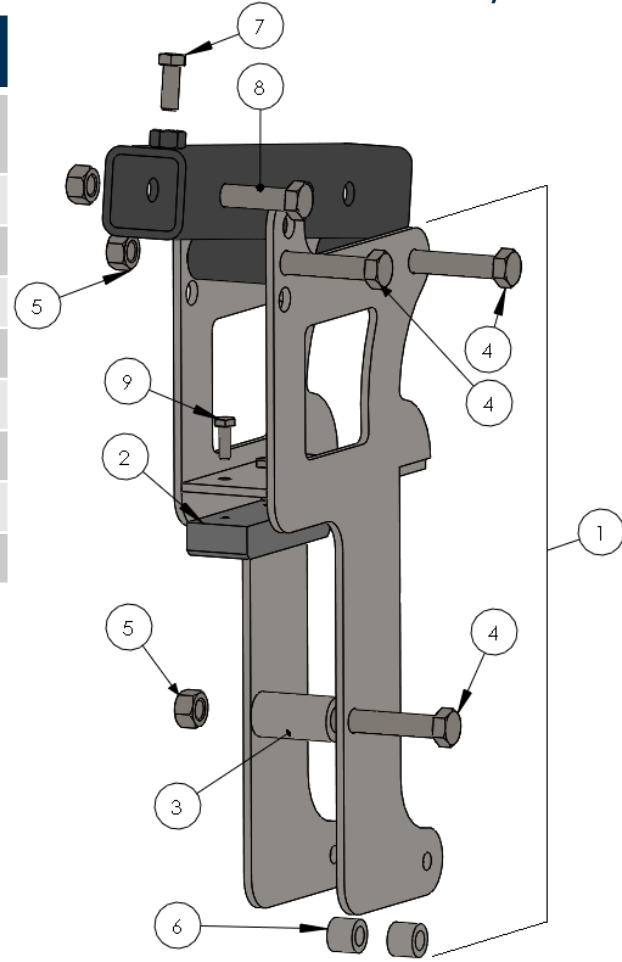
**AWS0814 End Cap Assembly, w/
lever includes items
11,13,14,15,16,17**

Item #	Part #	Description	Qty.
1	AWS0102	Manifold Arm	2
2	AWS0123	Saddle Clamp	2
3		Washer, 3/8	6
4		Bolt, 3/8ncX 5-1/2, gr8	2
5		Bolt, 3/8nc X 5, gr8	2
6	AWS0091	Elbow, 90	1
7	AWS0086	Hose Clamp, 8.75"	1
8	AWS0092	Lock Sleeve	1
9	AWS0512	Bushing, Shoulder	1
10		Bolt, 3/8nc x 1	1
11		Locknut, 3/8nc	4
12	AWS0479	Spacer, End Cap	2
13		Bolt, 3/8nc x 3	1
14	AWS0810	End Cap Base	1
15		Flange Nut, 1/4nc	6
16	AWS0811	End Cap Arm	1
17	AWS0813	End Cap Plate, 6 bolt	1
18	AWS0103	Actuator Pivot	1
19		Bolt, 3/8nf x 5/8	2
20	AWS0546	Actuator, Manifold Tilt	1
21	AWS0514	Actuator Bolt	2

Mount Arms 2015 & up (30 & 35ft)

JD 30-35ft Mount Arm, Left

Item #	Part #	Description	Qty.
1	AWS0900	Mount Arm Brkt Assy 600FD LH (Incl. Items 2-9)	1
2	AWS0359	JD Mount Arm Slide	1
3	AWS0398	Spacer, 1/2" x 1-7/8"	1
4		1/2" nc x 3" Hex Bolt	3
5		1/2" nc Stover Lock Nut	4
6		Spacer, 3/8" x 3/4"	2
7		3/8" nc x 1" Hex Bolt	2
8		1/2" nc x 2-1/2" Hex Bolt	1
9		1/4" nc x 3/4" Thread Cut Hex	2

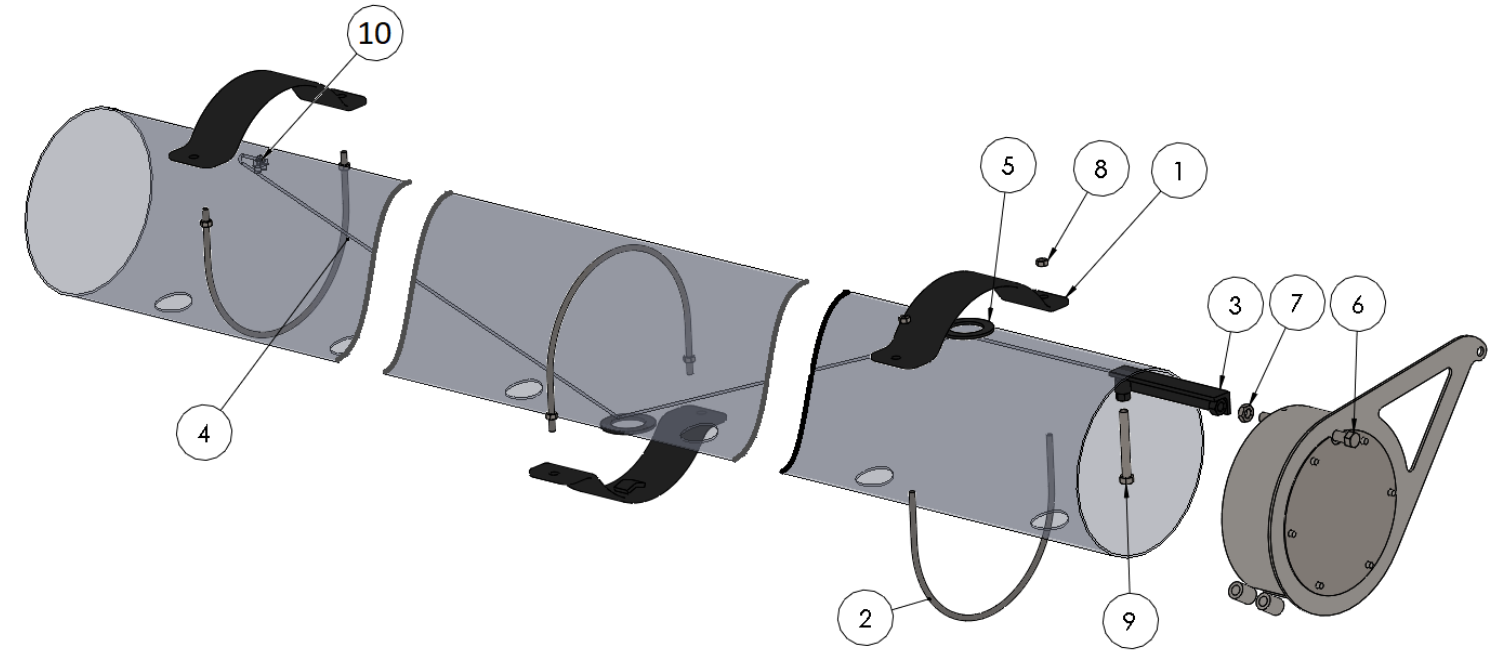


JD 30-35ft Mount Arm, Right

Previous to 2014 Model Headers –

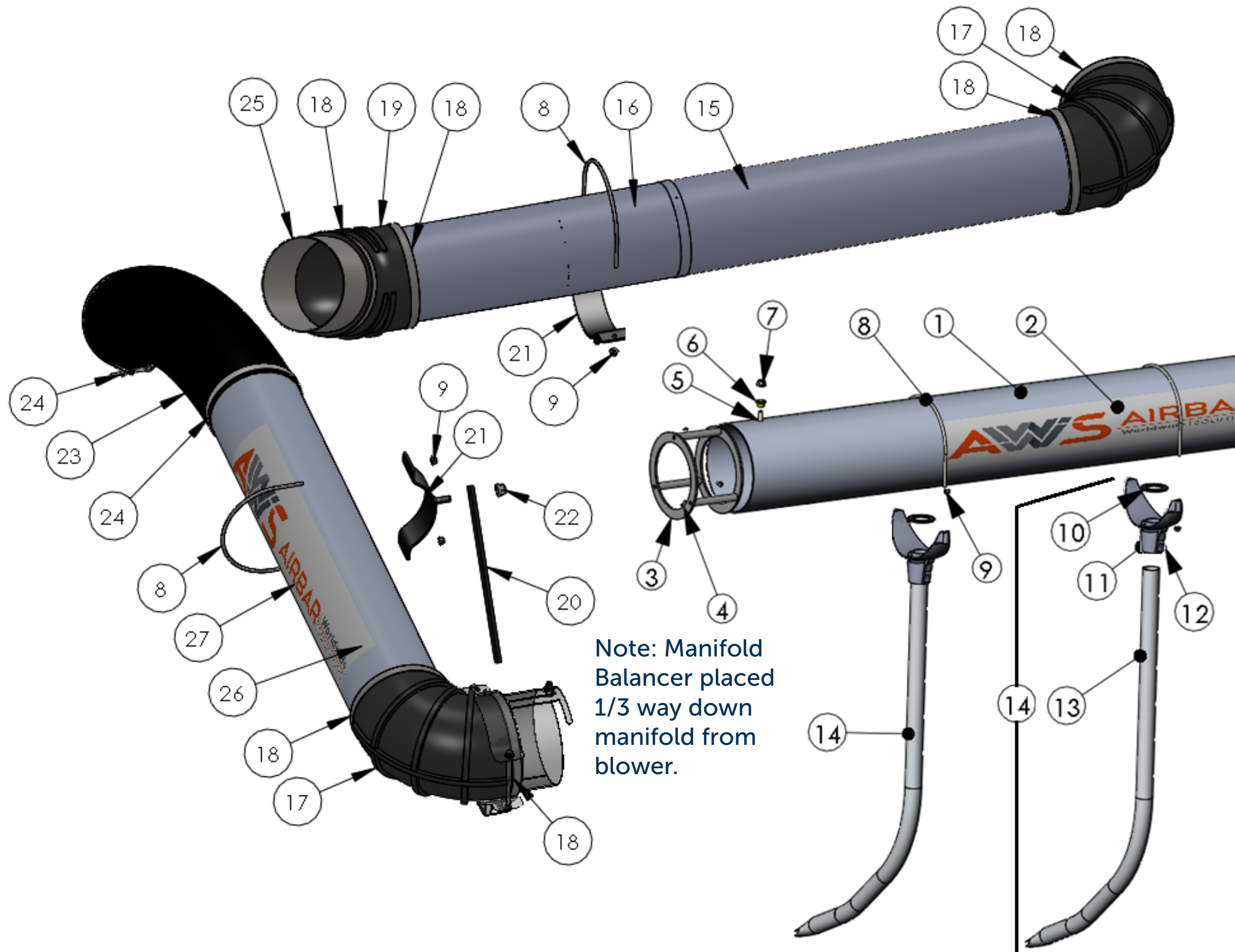
Item #	Part #	Description	Qty.
1	AWS0897	Mount Arm Brkt Assy 30-35ft, Right (Incl. Items 2-9)	1
2	AWS0359	JD Mount Arm Slide	1
3	AWS0112	Spacer, 1/2" x 2-3/8"	1
4		1/2" nc x 3-1/2" Hex Bolt	3
5		1/2" nc Stover Lock Nut	4
6	AWS0825	Spacer, 3/8" x 5/8"	2
7		3/8" nc x 1" Hex Bolt	1
8		1/2" nc x 2-3/4" Hex Bolt	1
9		1/4" nc x 3/4" Thread Cut Hex	2

(35ft Only) Cable Kit Assembly



Item #	Part #	Description	Qty.
	AWS0430	Cable Kit (Incl. Items 1-10)	
1	AWS0435	Saddle, Cable Support	3
2	AWS0163	8" U- Bolt (Incl. Item 8)	3
3	AWS0433	Cable Tensioner	1
4	AWS0427	1/8" Steel Cable (per ft.)	+35 ft
5	AWS0015	7/16" nc x 5" Hex Bolt	1
6	AWS0116	Gasket	3
7	AWS0016	7/16" nc Jam Nut	1
8		1/4"nc Nyloc Nut	6
9		3/8"nc x 3" Hex Bolt	1
10		Cable U-Clamp	1

Manifold Components (2pc Reel)

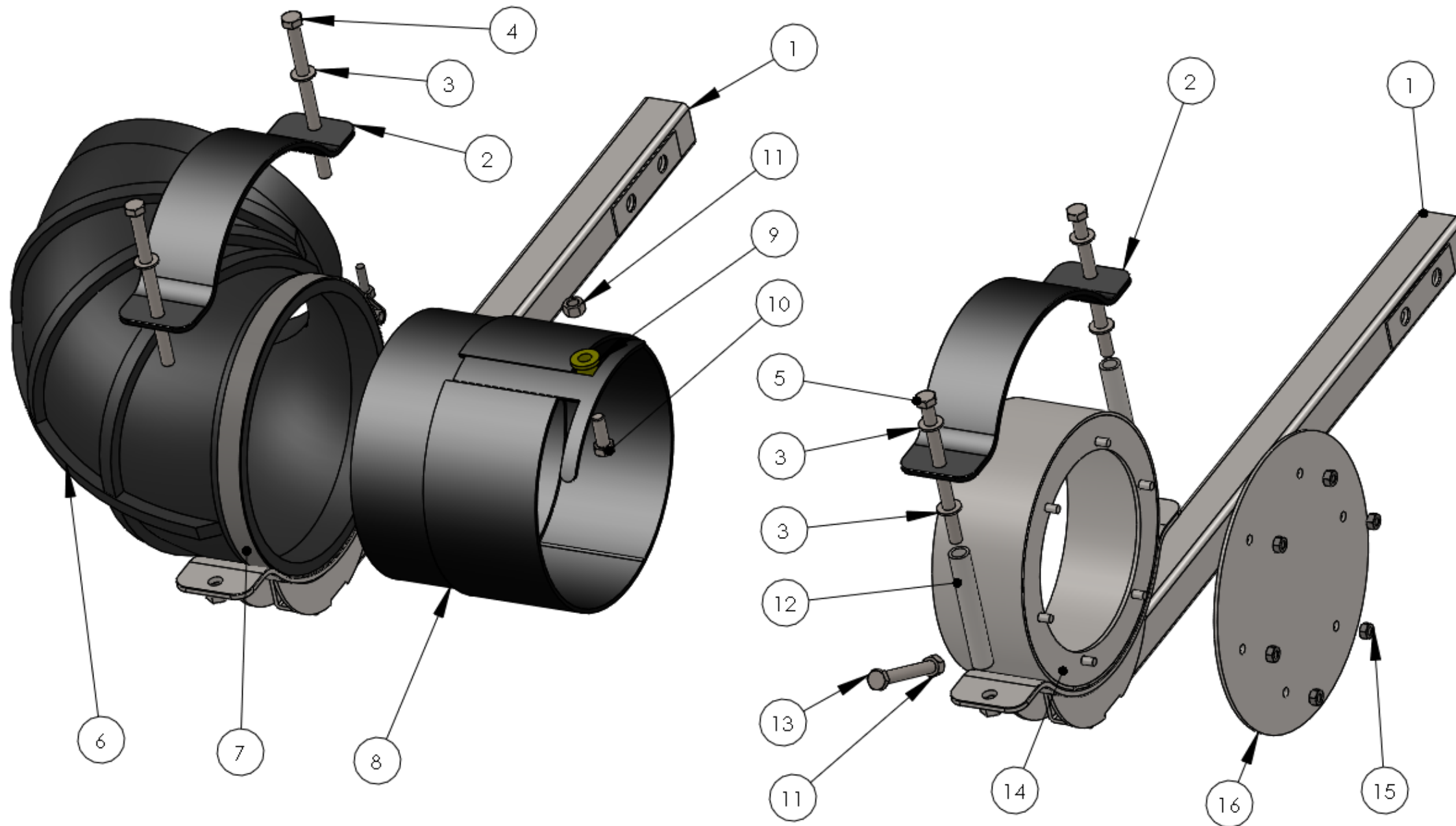


Note: Manifold Balancer placed 1/3 way down manifold from blower.

Item #	Part #	Description	Qty
1	CALL AWS	Replacement Manifold (Includes Items 2 (Decal) & 3 (Balancer))	AR
2	AWS0781	Decal, Logo 48x8	1
3	AWS0202	Manifold Balancer	1
4		Pop Rivet 3/16 x 1/4	3
5		3/8nc x 1 Bolt	1
6	AWS0512	Flange Bushing	1
7		5/16nc nyloc nut	1
8	AWS0163	U-Bolt 1/4nc x 8" S.S (Incl. Item 9)	AR
9		1/4nc Nyloc Nut	AR
10	AWS0116	Nozzle Gasket	AR
11	AWS0760	Nozzle Saddle, Cast w/ Set Screws	AR
12		Set Screw m8x10 S.S.	2
13	AWS0766	Nozzle Tube, 48" Double Bend	AR
14	AWS0769	Nozzle, 48" Double Bend (Incl. Items 10-13)	AR
15	AWS0763	Rear Tube 45"	1
16	AWS0764	Rear Tube Extension 30"	1
17	AWS0091	Elbow 90 x 8"	2
18	AWS0086	Hose Clamp 8.75"	8
19	AWS0441	Elbow 45 x 8"	2
20	AWS0090	Transition Tube Support	1
21	AWS0153	Saddle, With Stud	2
22		1/2nc Lock Nut	AR
23	AWS0410	Flex Hose, 60"	1
24	AWS0085	Hose Clamp. 8.25	2
25	AWS0160	Connector Pipe 6"	1
26	AWS0087	Transition Tube - 40" (Incl. Item 27)	1
27	AWS0782	Decal, Logo 24x4	1

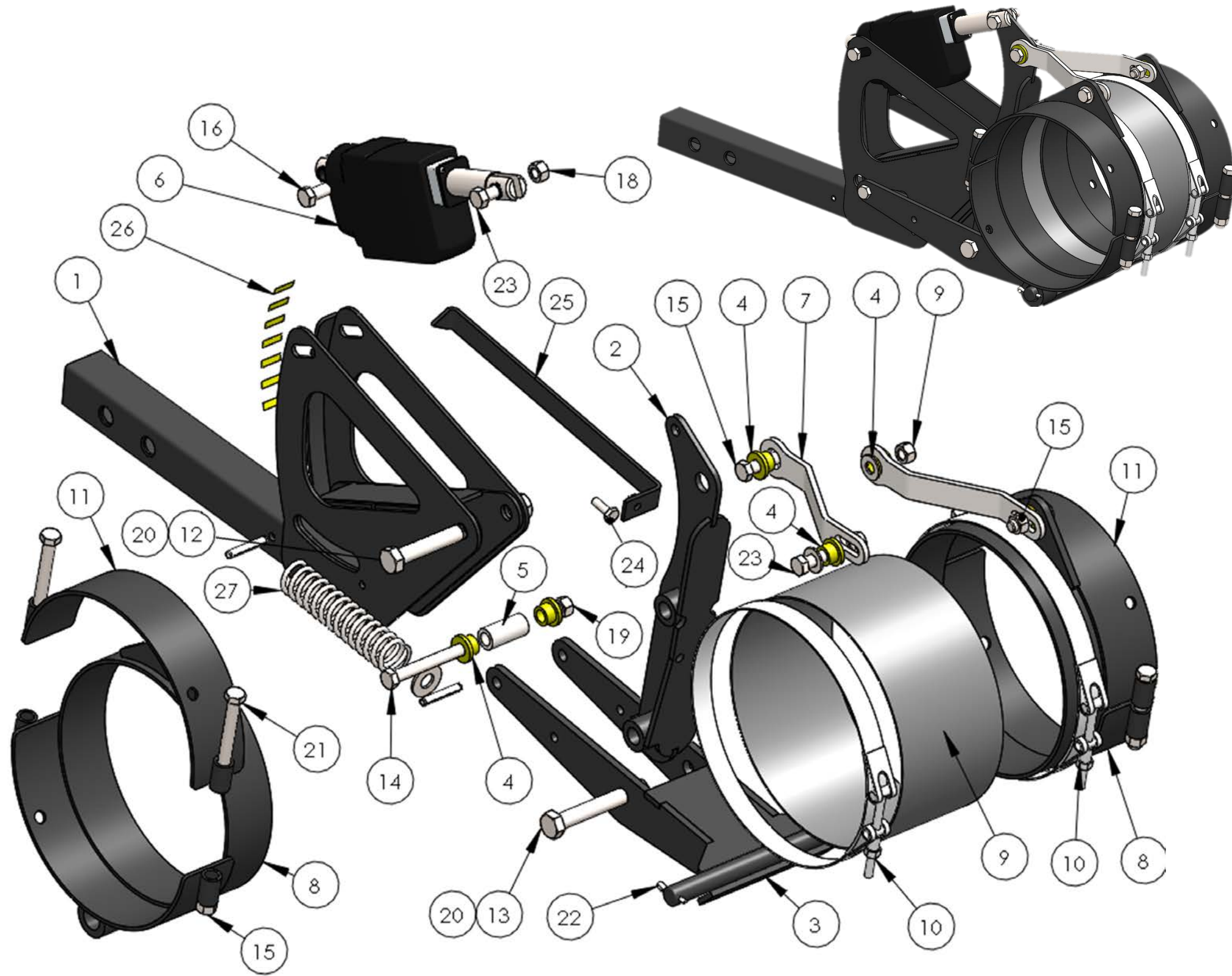
End Cap and Lock Sleeve

(2pc Reel)



Item #	Part #	Description	Qty.
1	AWS0102	Manifold Arm	2
2	AWS0123	Saddle Clamp	2
3		Washer, 3/8	6
4		Bolt, 3/8ncX 5-1/2, gr8	2
5		Bolt, 3/8nc X 5, gr8	2
6	AWS0091	Elbow, 90	1
7	AWS0086	Hose Clamp, 8.75"	1
8	AWS0092	Lock Sleeve	1
9	AWS0512	Bushing, Shoulder	1
10		Bolt, 3/8nc x 1	1
11		Locknut, 3/8nc	4
12	AWS0479	Spacer, End Cap	2
13		Bolt, 3/8nc x 3	1
14	AWS0810	End Cap Base	1
15		Flange Nut, 1/4nc	6
16	AWS0812	End Cap Cover	1

AWS0819 End Cap Assembly, w/o Lever, includes items 11,13,14,15,16



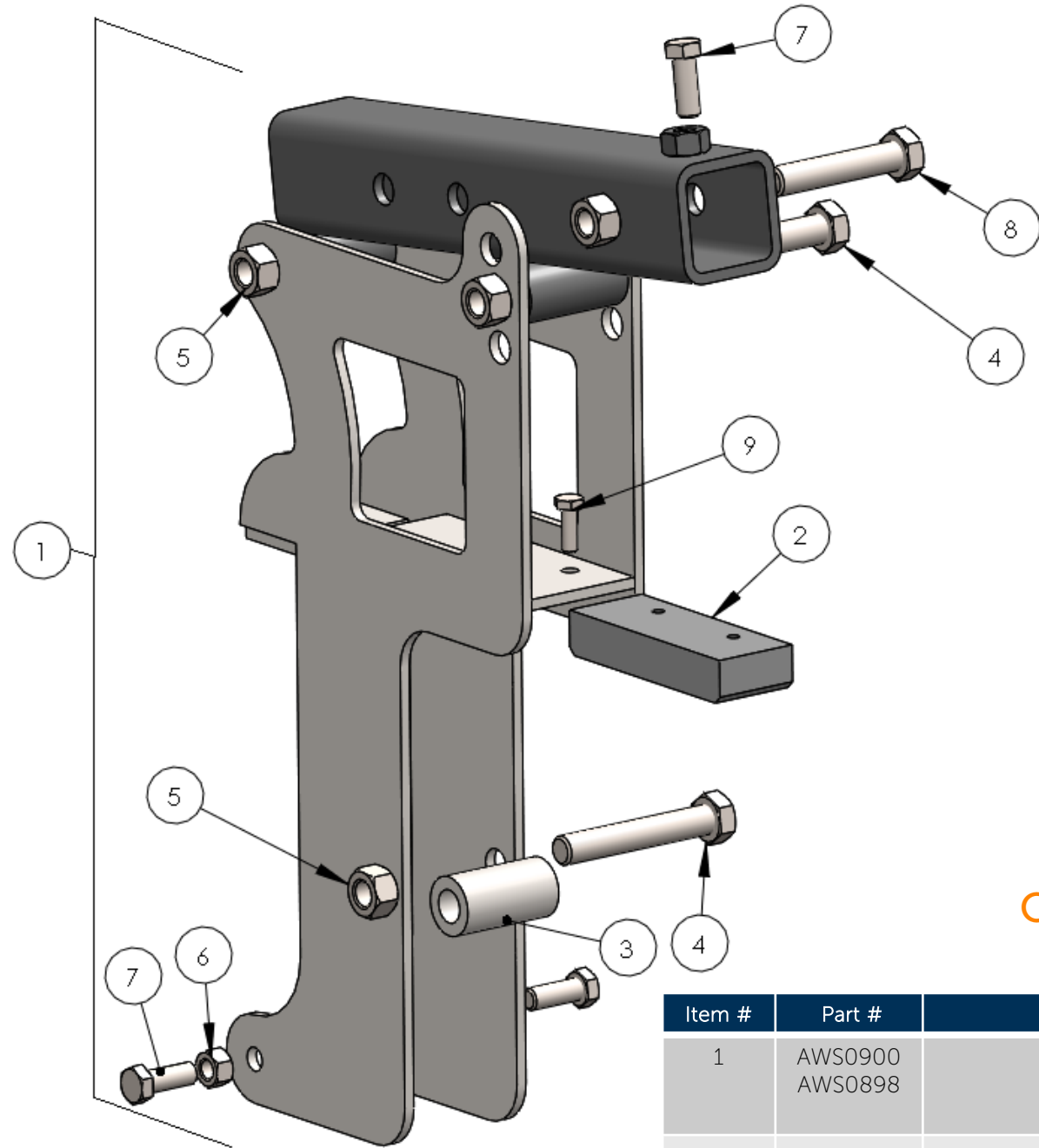
Previous to 2014 Model Headers – Call
AWS

Centre Pivot Assembly AWS0770

(Includes all except AWS0546 Actuator)

Item #	Part #	Description	Qty.
1	AWS0771	Center Base	1
2	AWS0772	Center Lever	1
3	AWS0773	Center Cradle	1
4	AWS0512	Shoulder Bushing	6
5	AWS0776	Spacer 3/8 x 1 3/8	1
6	AWS0546	Actuator, LA23	1
7	AWS0774	Center Link	2
8	AWS0600	CP Clamp	2
9	AWS0883	Rubber Coupler	1
10	AWS0085	Hose Clamp. 8.25"	2
11	AWS0599	CP Top Saddle	2
12		Bolt, 1/2"nc x 2-1/2"	1
13		Bolt, 1/2"x3-1/2"	1
14		Bolt, 3/8"nc X 3-1/4"	1
15		Bolt, 3/8"nc x 1-1/2"	1
16		Bolt, 3/8"nc X2-1/2"	1
17		3/8" Flat Washer	3
18		Bolt, 3/8"nc x 1-1/4"	2
19		3/8"nc Stover Lock Nut	8
20		1/2"nc Stover Lock Nut	2
21		Bolt, 3/8"nc X 2-3/4"	4
22		5/32" x 1" Cotter Pin	2
23		Bolt, 3/8"x1-1/2"	1
24		Bolt,1/4"nc X 3/4"	1
25	AWS0775	Center Tilt Indicator	1
26	AWS0669	Decal, Manifold Tilt	1
27	AWS0777	Spring (2018 & Up) (Incl. hardware)	1
	AWS0770	Center Pivot Assembly (Less Actuator)	

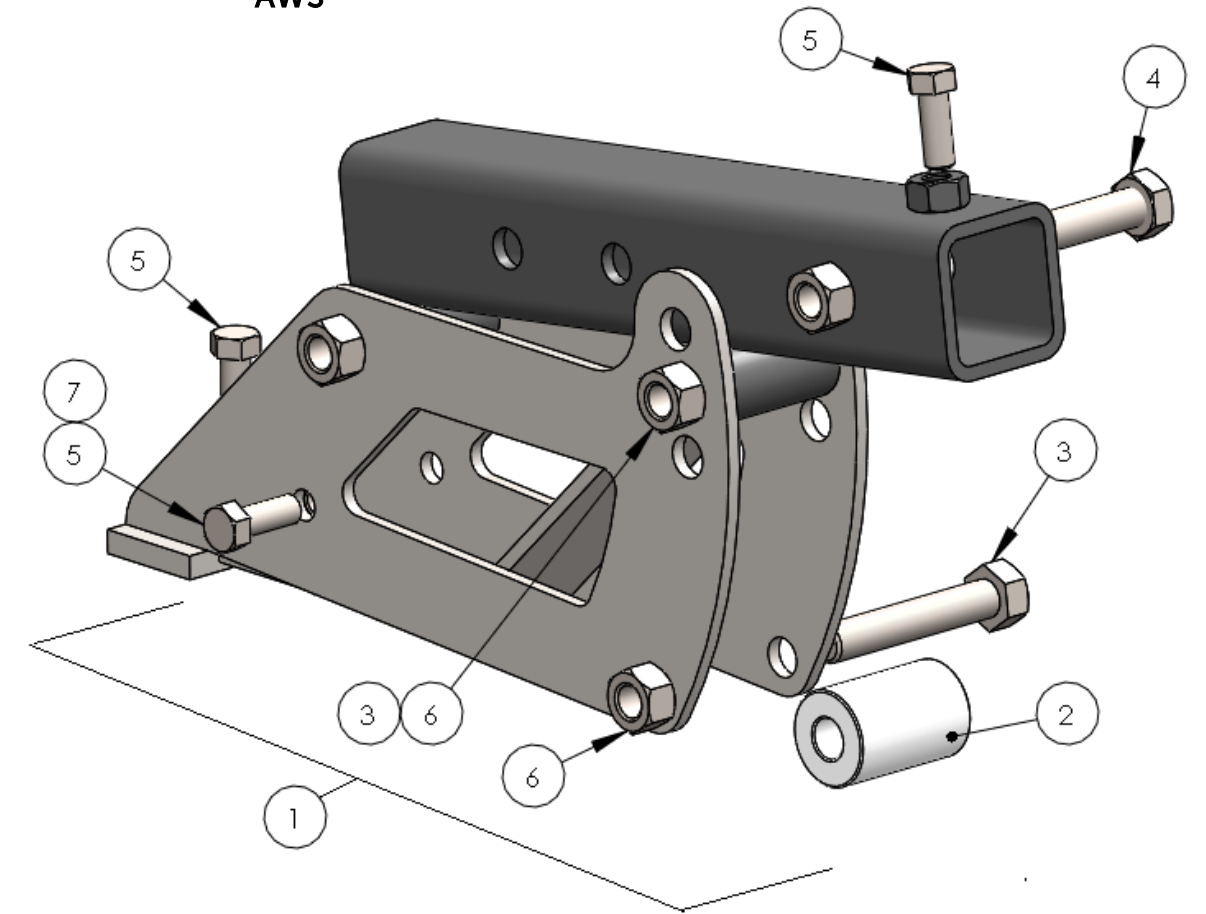
Mount Arms 2015 & up (40 & 45ft)



**Outer Brackets
(LH Shown)**

Item #	Part #	Description	Qty.
1	AWS0900 AWS0898	Complete LH Mount Arm Assy (Shown) Complete RH Mount Arm Assy (Both Incl. Items 2-9)	1 1
2	AWS0359	Slide Block	1
3	AWS0459	Spacer, 1/2" x 2"	1
4		1/2" nc x 3" Hex Bolt	3
5		1/2" nc Stover Lock Nut	4
6		3/8" nc Flange Hex Nut	2
7		3/8" nc x 1" Hex Bolt	3
8		1/2" nc x 2-1/2" Hex Bolt	1
9		1/4" nc x 3/4" Thread Cut Hex Type F SS	2

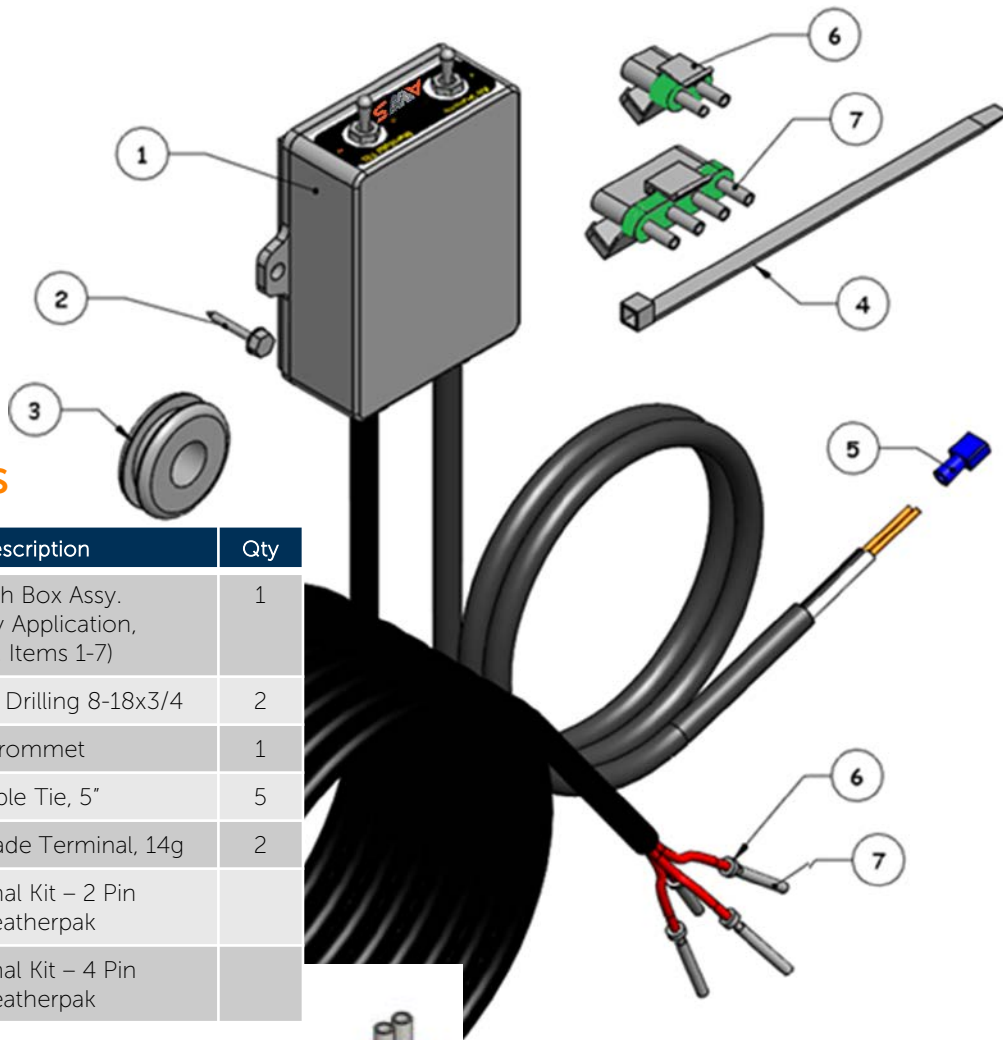
Previous to 2014 Model Headers – Call
AWS



Centre Bracket

Item #	Part #	Description	Qty
1	AWS0899	Complete Centre Mount Bracket Assy (Incl. Items 2-7)	1
2	AWS0538	Roller, UHMW-PE 1-7/8	1
3		1/2" nc x 2-3/4" Hex Bolt	3
4		1/2" nc x 2-1/2" Hex Bolt	1
5		3/8" nc x 1" Hex Bolt	3
6		1/2" nc Stover Lock Nut	4
7		3/8" nc Lock Nut	3

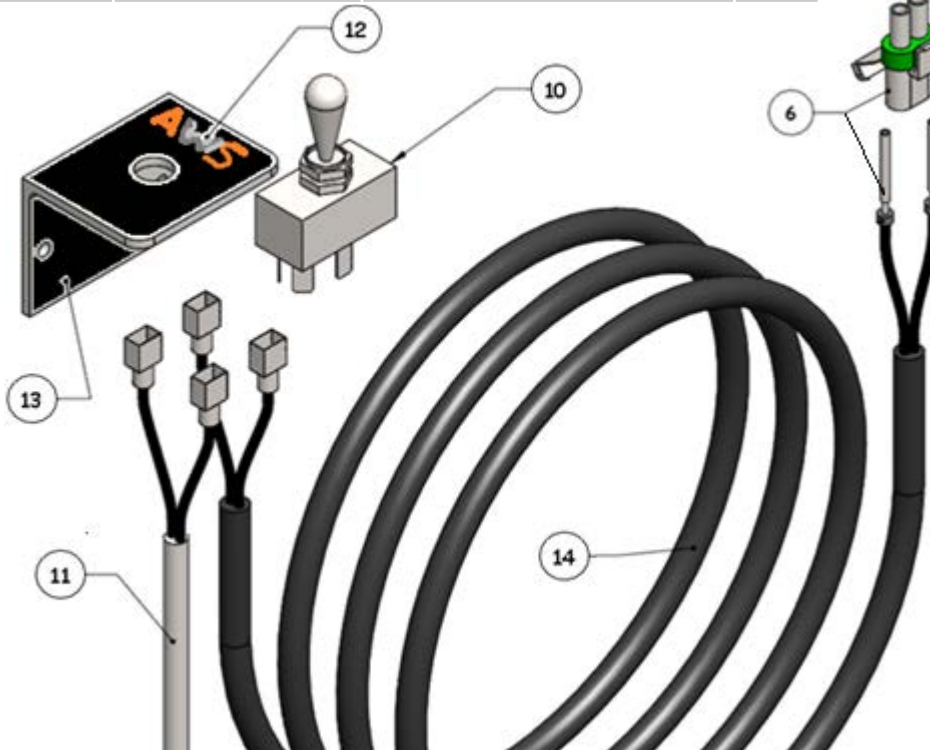
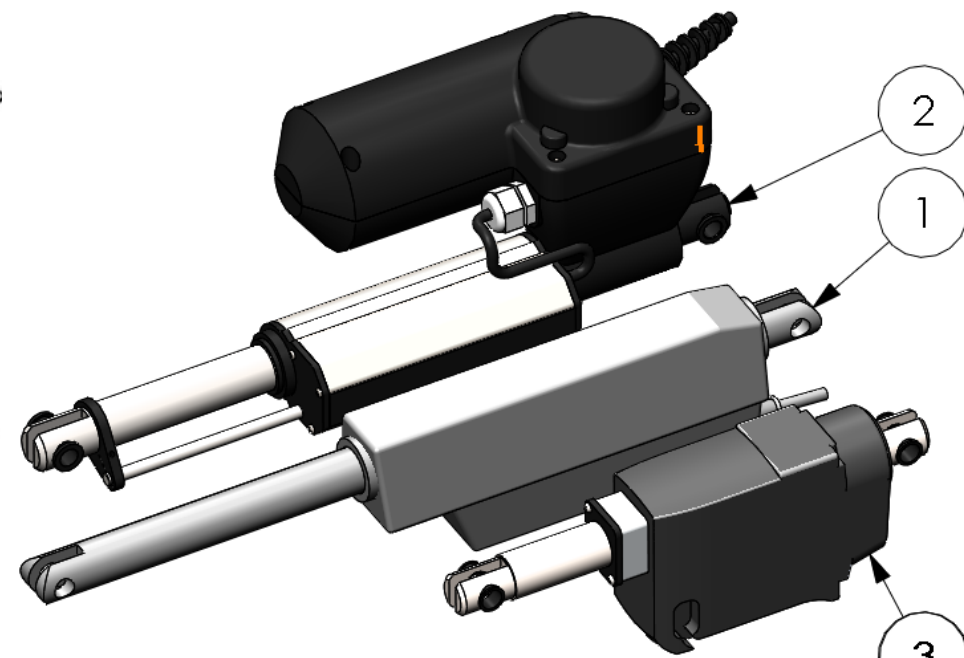
Dual Switch Controls



Item #	Part #	Description	Qty
1	AWS0422	Switch Box Assy. Specify Application, (Incl. Items 1-7)	1
2	HDTHE2ZI81812	Screw, Self Drilling 8-18x3/4	2
3	HNYGR51634116	Grommet	1
4	AWS0264	Cable Tie, 5"	5
5	AWS0402	Female Spade Terminal, 14g	2
6	AWS0097K	Terminal Kit – 2 Pin Weatherpak	
7	AWS0320K	Terminal Kit – 4 Pin Weatherpak	

Actuators

Item #	Part #	Description	Qty
1	AWS0095	Actuator, Fan Control LA12	1
2	Call AWS	Actuator, Manifold Tilt Single Manifold -2014	1
3	AWS0546	Actuator, Manifold Tilt Single Manifold 2014- (Incl. Item 4)	1
4	AWS0546B	Actuator Harness LA23 (Incl. Clip & Connector, Fits Item 4 only)	1

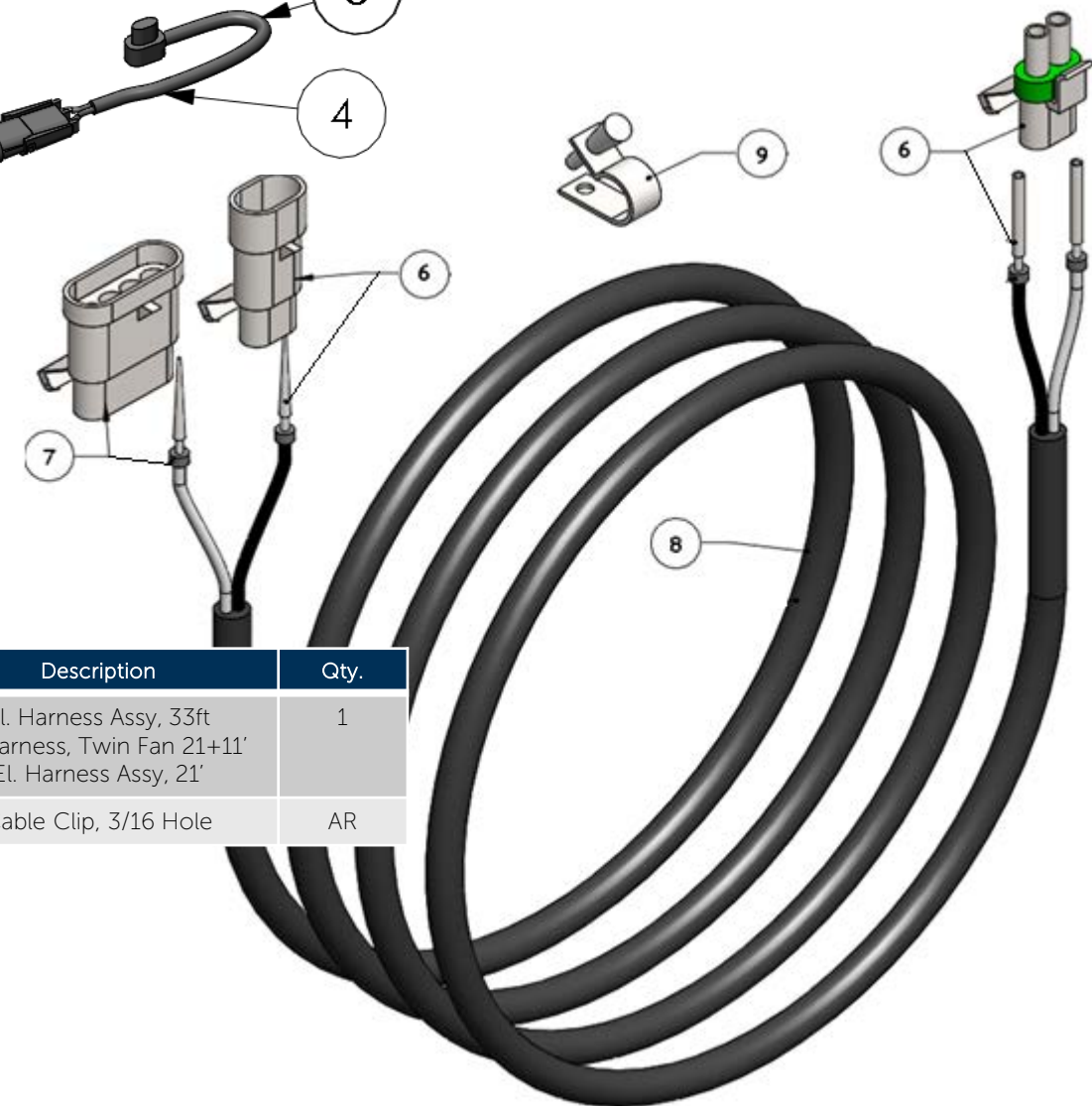


Single Switch Controls

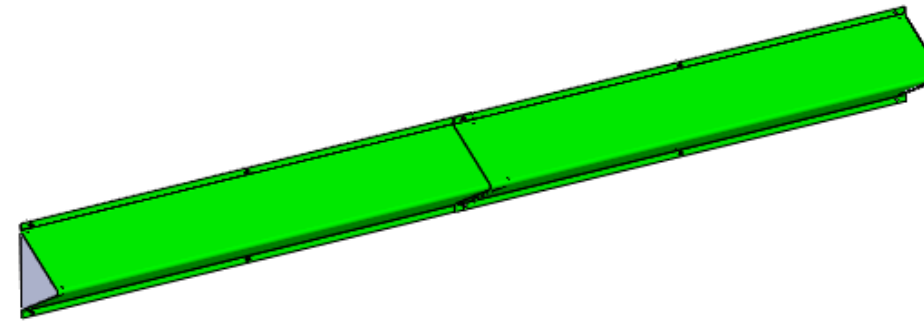
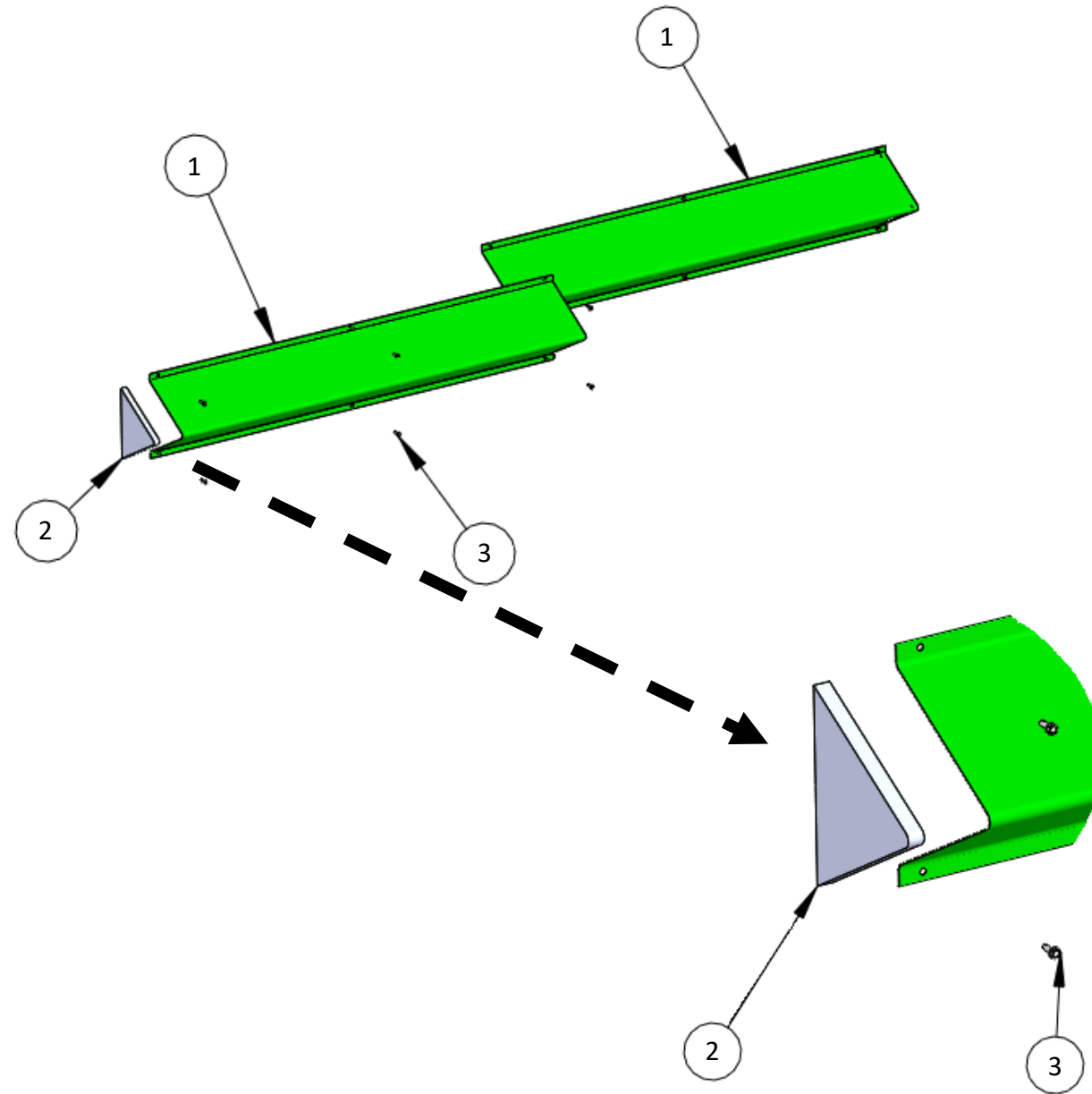
Item #	Part #	Description	Qty
10	AWS0385	Switch, DPDT Crossover	1
11		Power Lead, Specify Application	1
12	AWS0066	Decal, Switch Bracket	1
13	AWS0386	Switch Bracket (Incl. Item 12)	1
14	AWS0099	Combine Harness, Single 20'	1
	AWS0385K	Single Switch Kit, (Incl. Items 10-14)	

Header Harness

Item #	Part #	Description	Qty.
8	AWS0100 AWS0101 AWS0580	El. Harness Assy, 33ft El. Harness, Twin Fan 21+11' El. Harness Assy, 21'	1
9	AWS0263	Cable Clip, 3/16 Hole	AR



Spoiler Panels



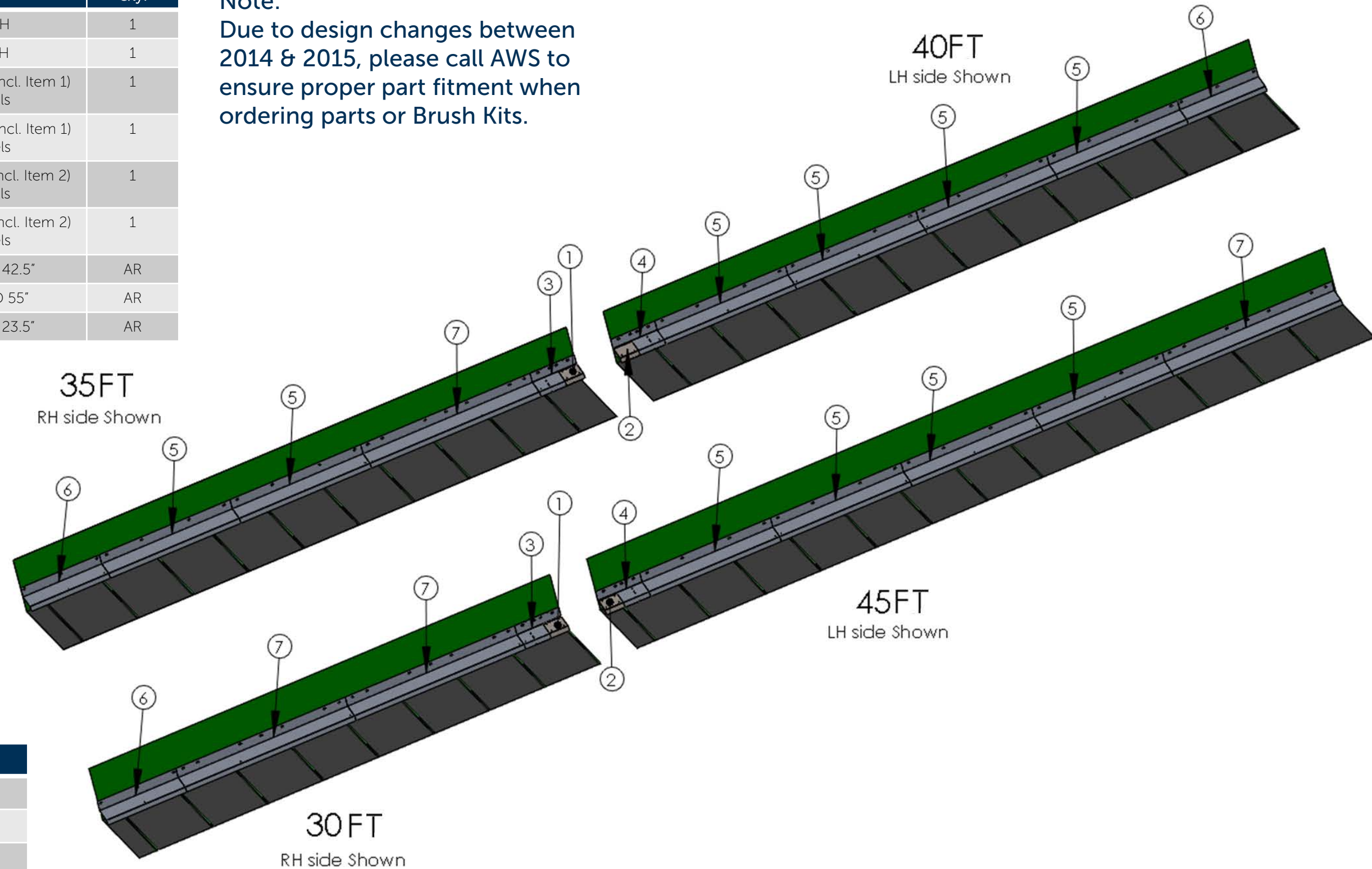
Item #	Part #	Description	Qty.
1	SP36	Spoiler Panel 36	AR
2	SPCAP	Spoiler Cap	AR
3		#8 x 1/2 Self Drilling Screw	AR

Header	Kit
630FD	SpoilerJD630
635FD	SpoilerJD635
640FD	SpoilerJD640
645FD	SpoilerJD645

Brush Kits

Item #	Part #	Description	Qty.
1	SKWCJDR	Wear Cap JD RH	1
2	SKWCJDL	Wear Cap JD LH	1
3	BKP15JDR	Brush Panel, JD 15 RH (Incl. Item 1) for 2015- models	1
3	BKP10JDR	Brush Panel, JD 10 RH (Incl. Item 1) for -2014 models	1
4	BKP15JDL	Brush Panel, JD 15 LH (Incl. Item 2) for 2015- models	1
4	BKP10JDL	Brush Panel, JD 10 LH (Incl. Item 2) for -2014 models	1
5	BKP43JD	Brush Kit Panel, JD 42.5"	AR
6	BKP55JD	Brush Kit Panel, JD 55"	AR
7	BKP23JD	Brush Kit Panel, JD 23.5"	AR

Note:
Due to design changes between 2014 & 2015, please call AWS to ensure proper part fitment when ordering parts or Brush Kits.



Header	Kit
30 FT	BrushJD630FD
35 FT	BrushJD635FD
40 FT	BrushJD640FD
45 FT	Brush645FD